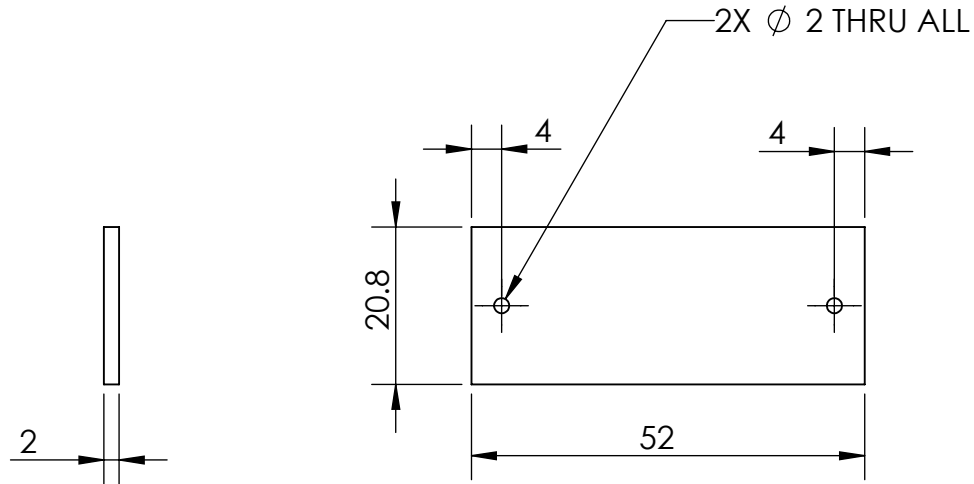
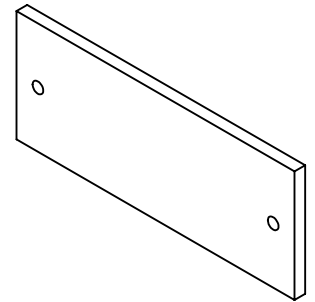


REVISIONS				
ZONE	REV.	DESCRIPTIONS	DATE	APP.



COLOR	WAVE LENGHT
RED:	630nm
GREEN:	525nm
BLUE:	470nm
WHITE:	--
IR 850:	850nm
IR 940:	940nm
UV:	375nm
RGB:	630nm/525nm/470nm



DESIGN BY	KB TAN	UNIT:	PRODUCT SERIES : HLBRX SERIES				
CHECK BY	KB TAN	MM					
DATE	08/11/2017	REVISION:	TITLE	DIFFUSER	COLOUR:	-	-
MATERIAL	PAA-75S	01	PART NO	-	VOLTAGE:	-	-
FINISHING	-	SCALE:	DWG NO	HLBRX-00-040-3-X-24V-04(REV01)	CURRENT:	-	-
QTY	1	1 : 1			POWER:	-	-