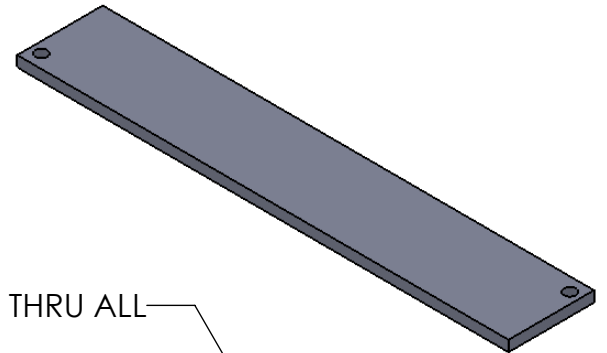
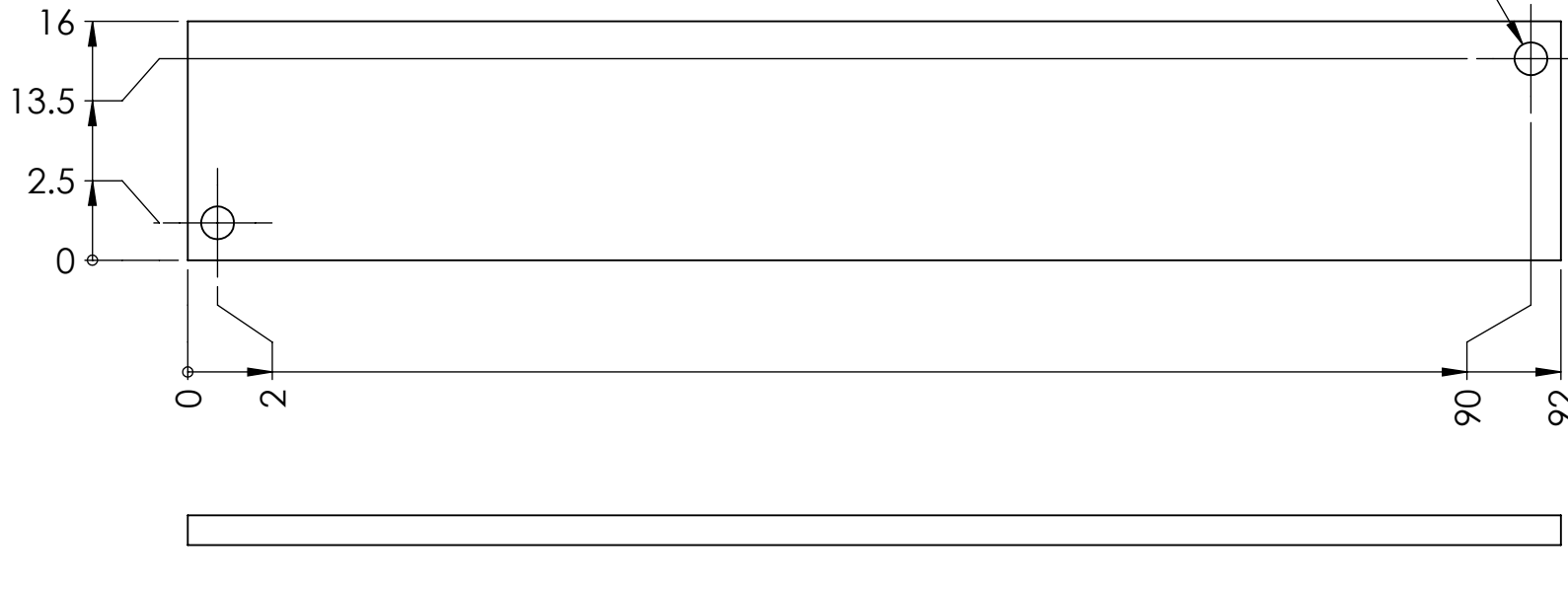


REVISIONS

ZONE	REV.	DESCRIPTIONS	DATE	APP.



2X Ø 2.20 THRU ALL



COLOR	WAVE LENGHT
RED:	630nm
GREEN:	525nm
BLUE:	470nm
WHITE:	--
IR 850:	850nm
IR 940:	940nm
UV:	365-375nm
RGB:	620nm/525nm/470nm



DESIGN BY	AFIZA	UNIT:	MM	PRODUCT SERIES : LBRM SERIES					
CHECK BY	KB TAN	REVISION:	01						
DATE	25/11/2016	SCALE:	1 : 1	TITLE	DIFFUSER	COLOR:	-	-	
MATERIAL	TW433C	PART NO	LBRM-00-080-3-X-24V	DWG NO		LBRM-00-080-3-X-24V-02(REV01)	VOLTAGE:	-	-
FINISHING	-					CURRENT:	-	-	
QTY	1					POWER:	-	-	
							SHEET 1 OF 1		