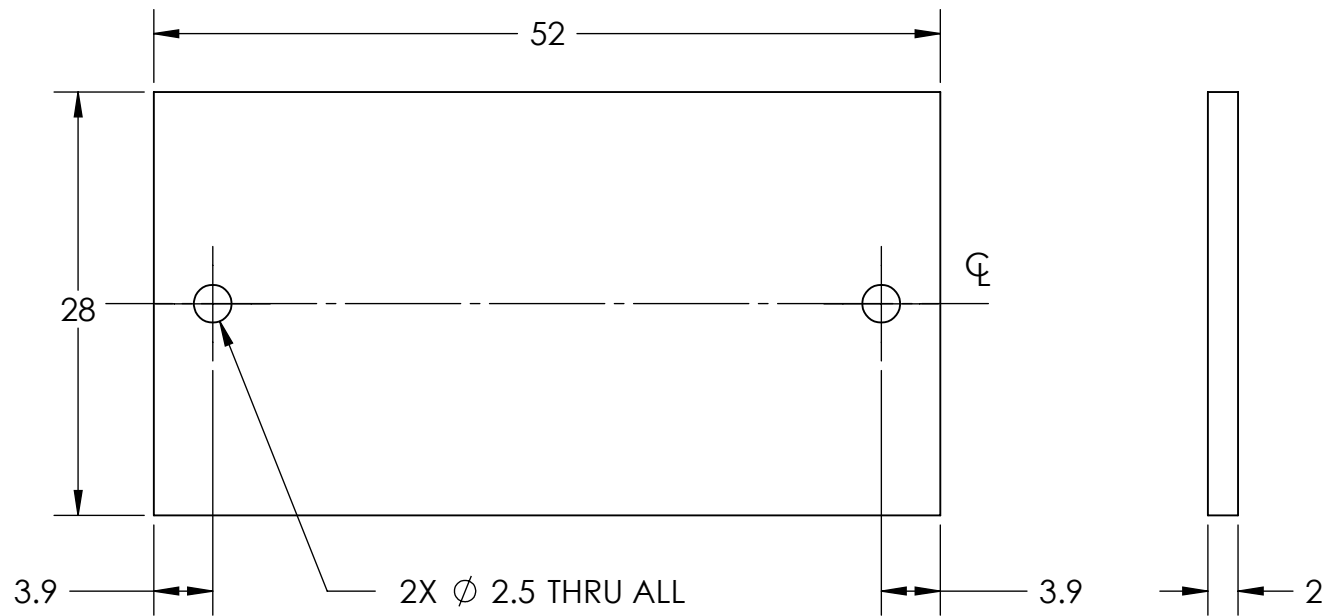
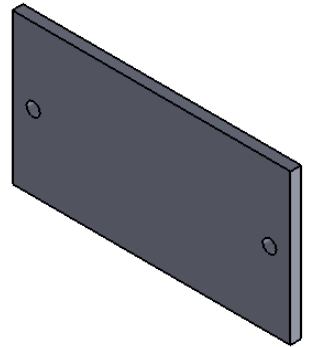


REVISIONS				
ZONE	REV.	DESCRIPTIONS	DATE	APP.



COLOR	WAVE LENGHT
RED:	660nm
GREEN:	525nm
BLUE:	470nm
WHITE:	--
IR 850:	850nm
IR 940:	940nm
UV:	380-385nm
RGB:	660nm/525nm/470nm



DESIGN BY	KB TAN
CHECK BY	KB TAN
DATE	27/11/2015
MATERIAL	TW 433C
FINISHING	-
QTY	1

UNIT:	MM
REVISION:	02
SCALE:	1:1

PRODUCT SERIES: LBRX SERIES			
TITLE	DIFFUSER	COLOUR:	- - -
PART NO	LBRX-00-040-6-X-24V	VOLTAGE:	- - -
DWG NO	LBRX-00-040-6-X-24V-04(REV02)	CURRENT:	- - -
		POWER:	- - -
		SHEET 4 OF 4	