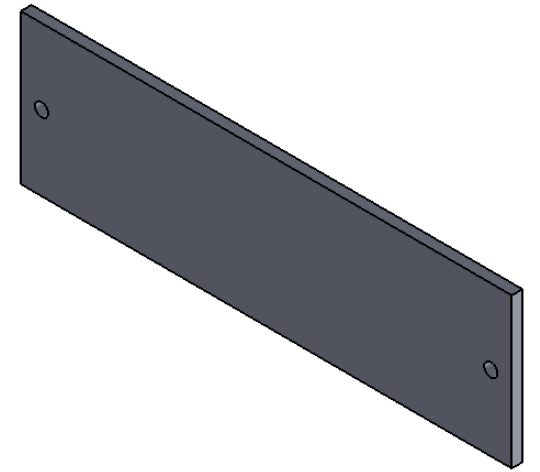
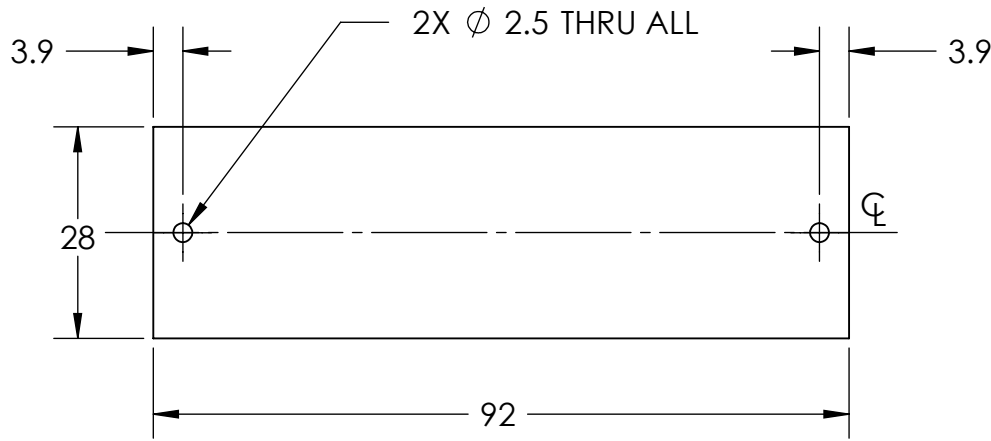


REVISIONS

ZONE	REV.	DESCRIPTIONS	DATE	APP.



COLOR	WAVE LENGHT
RED:	660nm
GREEN:	525nm
BLUE:	470nm
WHITE:	--
IR 850:	850nm
IR 940:	940nm
UV:	380-385nm
RGB:	660nm/525nm/470nm



DESIGN BY	KB TAN	UNIT: MM	PRODUCT SERIES: LBRX SERIES					
CHECK BY	KB TAN							
DATE	27/11/2015	REVISION:	02					
MATERIAL	TW 433C	SCALE:	1 : 1					
FINISHING	-	TITLE	DIFFUSER		COLOUR:	-	-	-
QTY	1	PART NO	LBRX-00-080-6-X-24V		VOLTAGE:	-	-	-
		DWG NO	LBRX-00-080-6-X-24V-04(REV02)		CURRENT:	-	-	-
					POWER:	-	-	-