

1 2 3 4 5 6 7 8

REVISIONS				
ZONE	REV.	DESCRIPTIONS	DATE	APP.

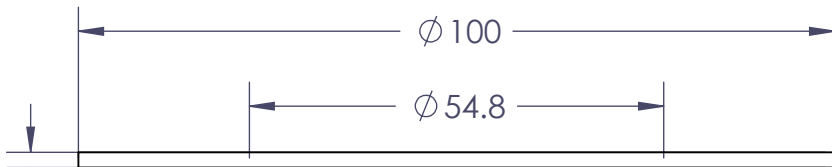
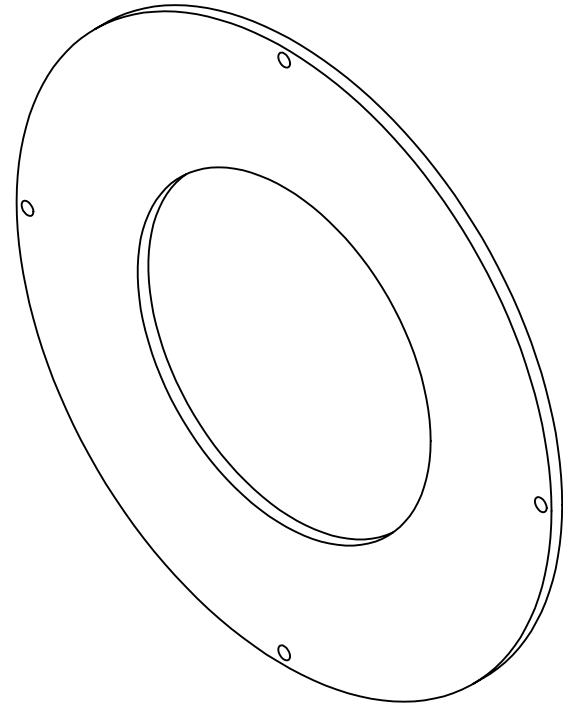
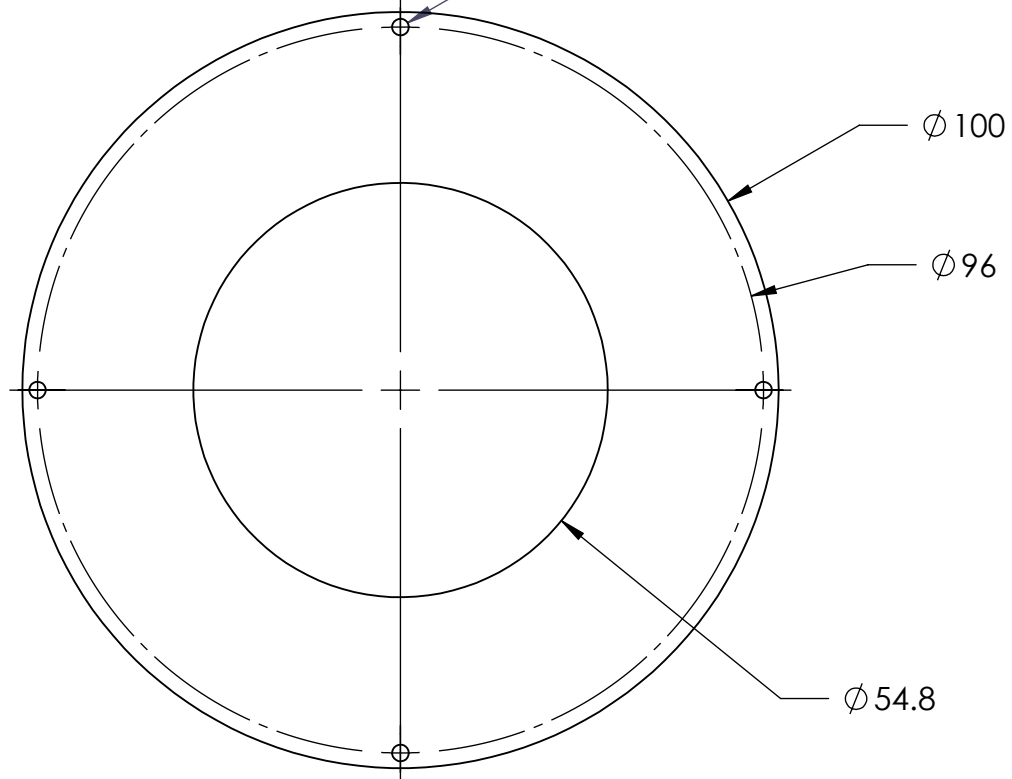
4X ϕ 2.20 THRU ALL

D

C

B

A



COLOR	WAVE LENGHT
RED:	630nm
GREEN:	525nm
BLUE:	470nm
WHITE:	--
IR 850:	850nm
IR 940:	940nm
UV:	375nm
RGB:	620nm/525nm/470nm

2

DESIGN BY	AMMAR	UNIT:	MM	PRODUCT SERIES: LLA SERIES				
CHECK BY	KB TAN	REVISION:	01					
DATE	4/2/2020	SCALE:	1 : 1	TITLE	DIFFUSER	COLOUR:	-	-
MATERIAL	WHITE PERSPEX 2MM (TW433C)			PART NO	LLA-60-100-2-DIFFUSER	VOLTAGE:	-	-
FINISHING	-			DWG NO	LLA-60-100-2-DIFFUSER-01(REV01)	CURRENT:	-	-
QTY	1					POWER:	-	-



1 2 3 4 5 6 7 8