

REVISIONS

ZONE	REV.	DESCRIPTIONS	DATE	APP.
------	------	--------------	------	------

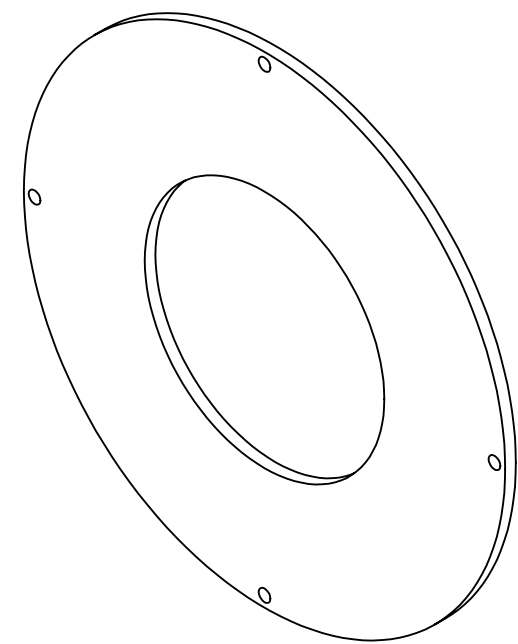
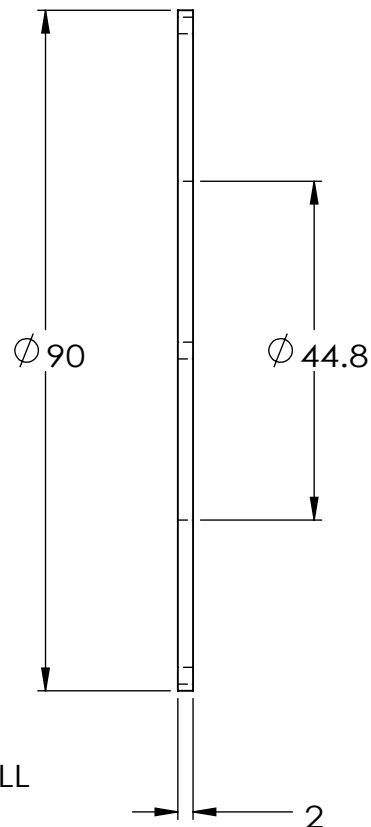
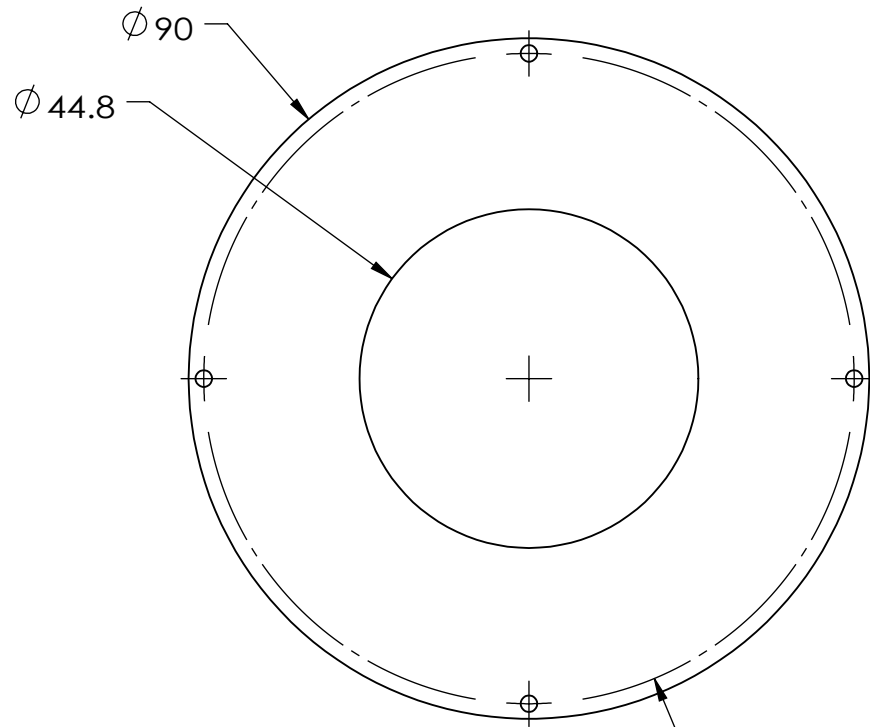
1 2 3 4 5 6 7 8

D D

C C

B B

A A



$\phi 86$
4X $\phi 2.2$ THRU ALL

(MATERIAL : WHITE PERSPEX - TW433C)

COLOR	WAVE LENGHT
RED:	660nm
GREEN:	525nm
BLUE:	470nm
WHITE:	-
IR 850:	850nm
IR 940:	940nm
UV:	380-385nm
RGB:	660nm/525nm/470nm



DESIGN BY	FY LEE	UNIT:	PRODUCT SERIES: LLA SERIES		
CHECK BY	CC-OOI	MM			
DATE	26/03/2014	REVISION:			
MATERIAL	WHITE PERSPEX 2.0 mm(TW433C)	04	TITLE	DIFFUSER(ANGULAR)-PERSPEX (TW433C)	
FINISHING	-	SCALE:	PART NO	LLA-60-090-2-X-24V	
QTY	1	1 : 1	DWG NO	LLA-60-090-2-X-24V-03(REV 04)	
			COLOUR:	-	-
			VOLTAGE:	-	-
			CURRENT:	-	-
			POWER:	-	-
			SHEET 3 OF 3		

1 2 3 4 5 6 7 8