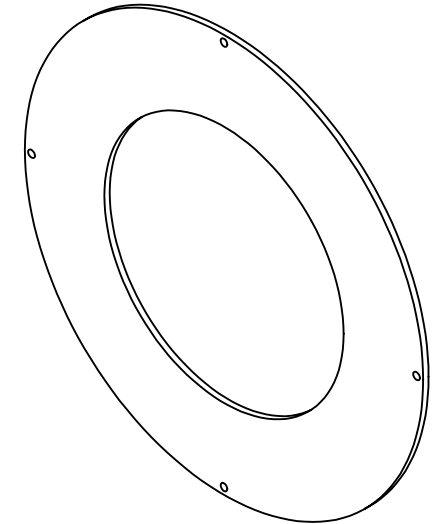
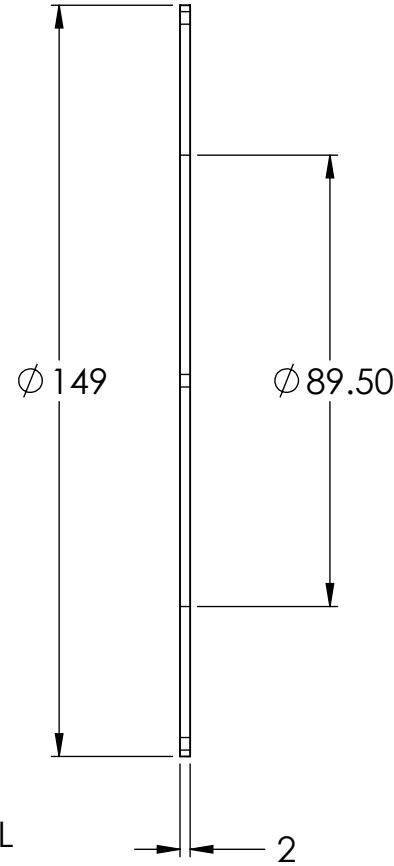
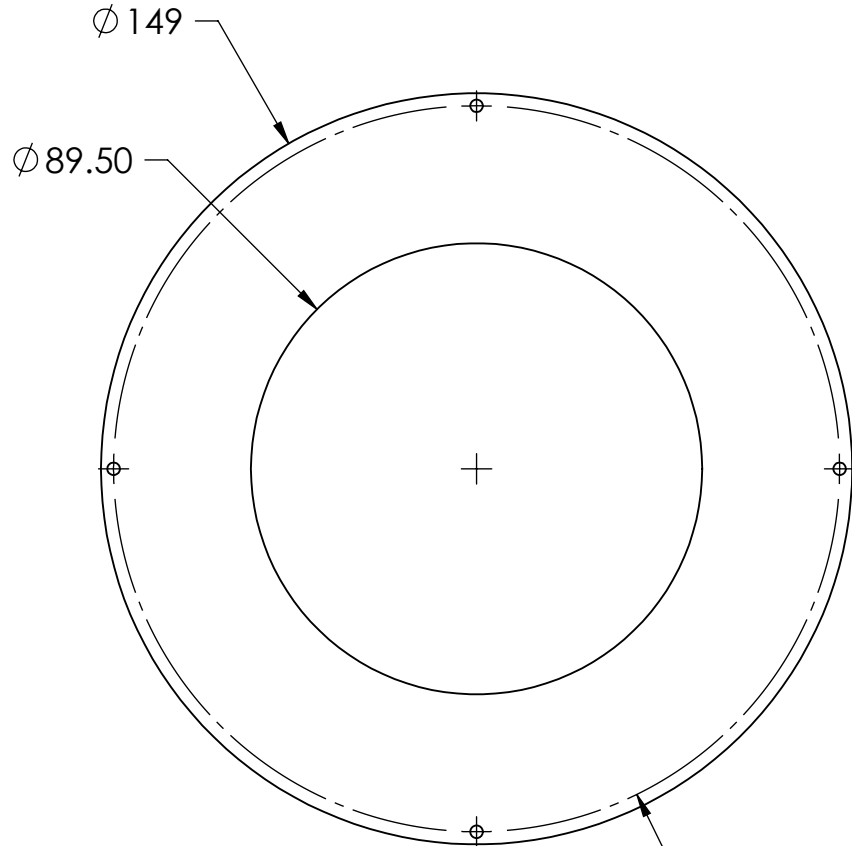


REVISIONS

ZONE	REV.	DESCRIPTIONS	DATE	APP.
------	------	--------------	------	------

D
C
B
A

D
C
B
A



4X $\phi 144$
4X $\phi 2.5$ THRU ALL

(MATERIAL : WHITE PERSPEX - TW433C)

COLOR	WAVE LENGHT
RED:	660nm
GREEN:	525nm
BLUE:	470nm
WHITE:	--
IR 850:	850nm
IR 940:	940nm
UV:	380-385nm
RGB:	660nm/525nm/470nm



DESIGN BY	EH LOH	UNIT:	MM	PRODUCT SERIES: LLA SERIES				
CHECK BY	EH-LOH	REVISION:	04					
DATE	25/07/2013	SCALE:	1 : 1.5	TITLE	DIFFUSER (ANGULAR)-PERSPEX (TW433C)	COLOUR:	-	-
MATERIAL	WHITE PERSPEX 2.0 mm(TW433C)	FINISHING	-	PART NO	LLA-60-150-3-X-24V	VOLTAGE:	-	-
QTY	1			DWG NO	LLA-60-150-3-X-24V-03	CURRENT:	-	-
						POWER:	-	-

SHEET 3 OF 3

1 2 3 4 5 6 7 8

1 2 3 4 5 6 7 8