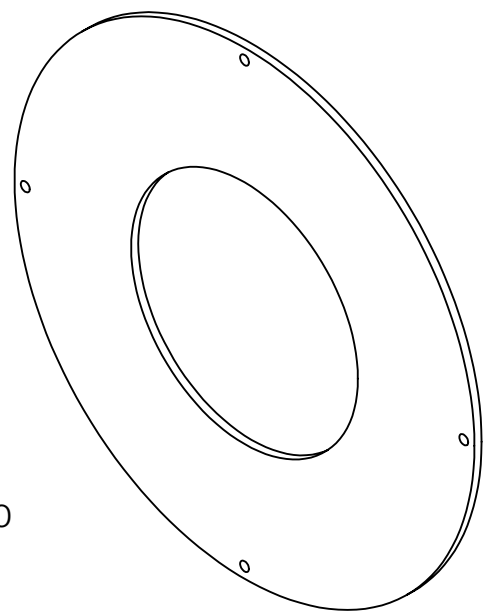
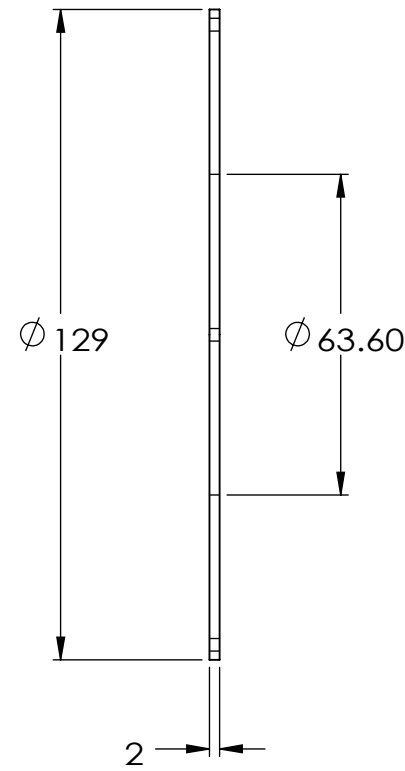
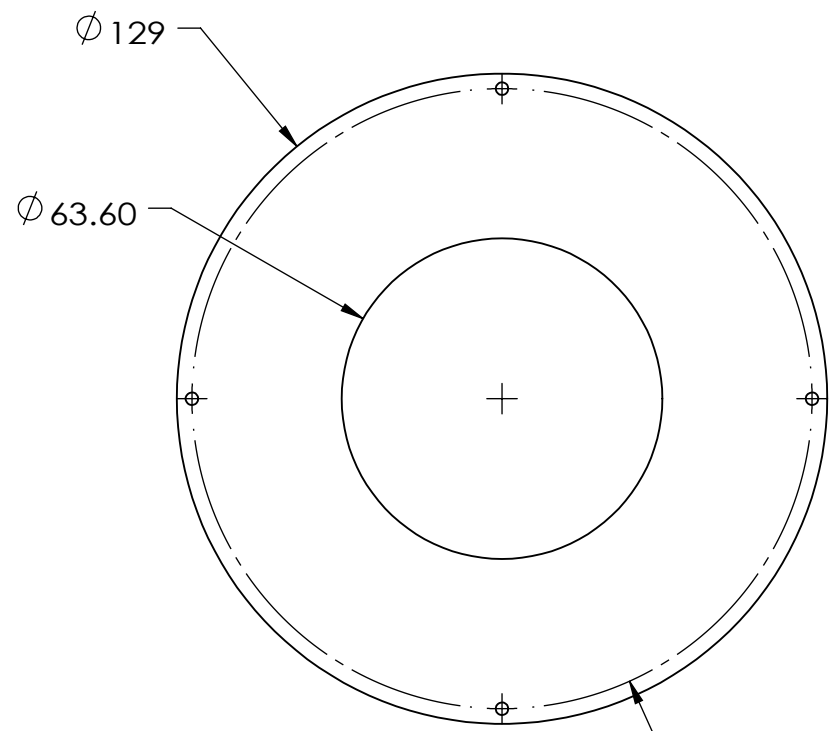


1 2 3 4 5 6 7 8

REVISIONS				
ZONE	REV.	DESCRIPTIONS	DATE	APP.

D
C
B
A

D
C
B
A



4X Ø 12.3
4X Ø 2.5 THRU ALL

(MATERIAL : WHITE PERSPEX - TW433C)

COLOR	WAVE LENGHT
RED:	660nm
GREEN:	525nm
BLUE:	470nm
WHITE:	-
IR 850:	850nm
IR 940:	940nm
UV:	380-385nm
RGB:	660nm/525nm/470nm



DESIGN BY	FY LEE	UNIT:	MM
CHECK BY	CC-OOI	REVISION:	04
DATE	26/03/2014	SCALE:	1 : 1.5
MATERIAL	WHITE PERSPEX 2.0 mm(TW433C)		
FINISHING	-		
QTY	1		

PRODUCT SERIES: LLA SERIES					
TITLE	DIFFUSER(ANGULAR)-PERSPEX (TW433C)		COLOUR:	-	-
PART NO	LLA-75-130-3-X-24V		VOLTAGE:	-	-
DWG NO	LLA-75-130-3-X-24V-03(REV 04)		CURRENT:	-	-
			POWER:	-	-
			SHEET 3 OF 3		

1 2 3 4 5 6 7 8