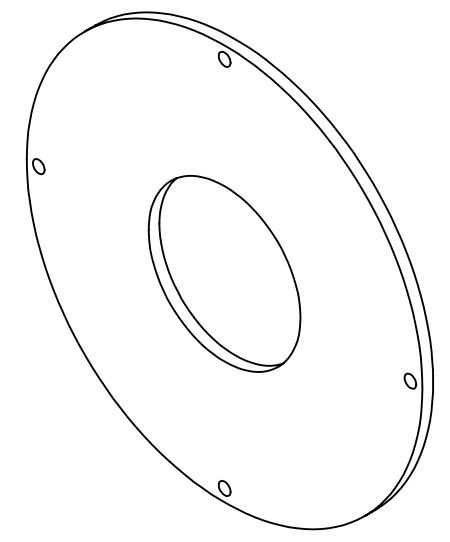
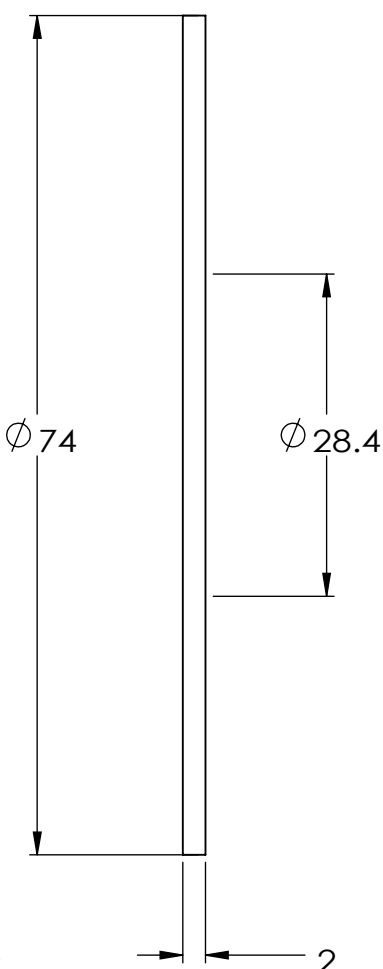
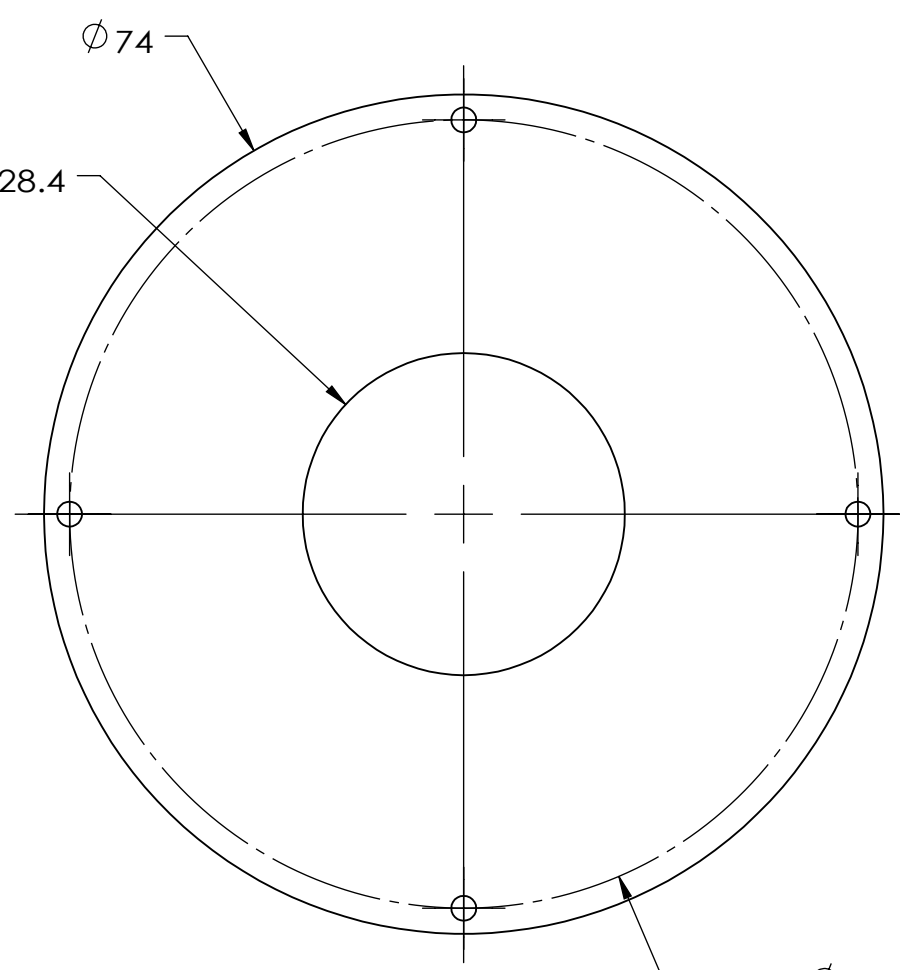


REVISIONS				
ZONE	REV.	DESCRIPTIONS	DATE	APP.



$\phi 69.5$   
8X  $\phi 2.2$  THRU ALL

(MATERIAL : WHITE PERSPEX - TW433C)

COLOR	WAVE LENGHT
RED:	660nm
GREEN:	525nm
BLUE:	470nm
WHITE:	-
IR 850:	850nm
IR 940:	940nm
UV:	380-385nm
RGB:	660nm/525nm/470nm



DESIGN BY	FY LEE	UNIT:	MM
CHECK BY	CC-OOI	REVISION:	04
DATE	26/03/2014	SCALE:	1.5: 1
MATERIAL	WHITE PERSPEX 2.0 mm(TW433C)	TITLE	DIFFUSER(ANGULAR)-PERSPEX (TW433C)
FINISHING	-	PART NO	LLA-60-070-2-X-24V
QTY	1	DWG NO	LLA-60-070-2-X-24V-03(REV 04)

**PRODUCT SERIES: LLA SERIES**

COLOUR:	-	-
VOLTAGE:	-	-
CURRENT:	-	-
POWER:	-	-