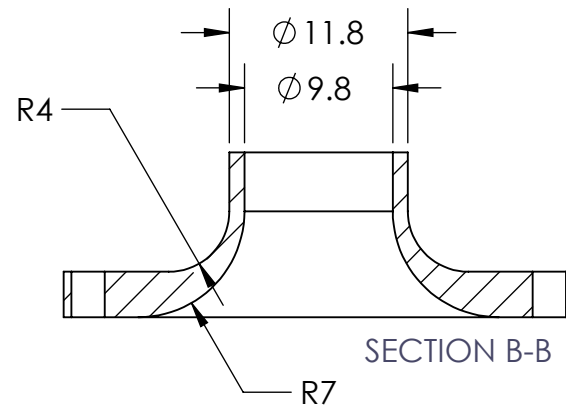
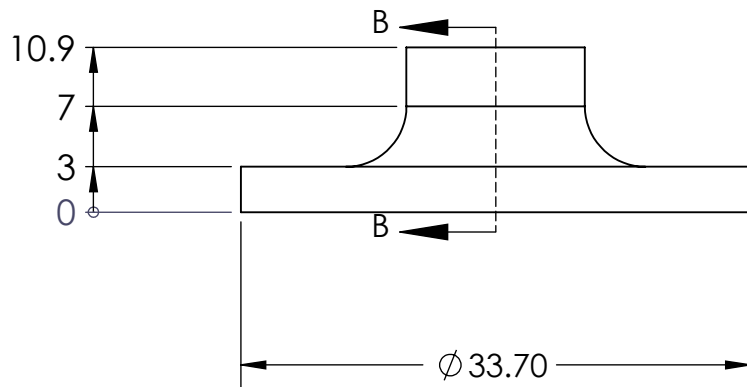
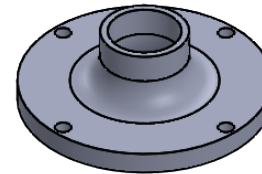
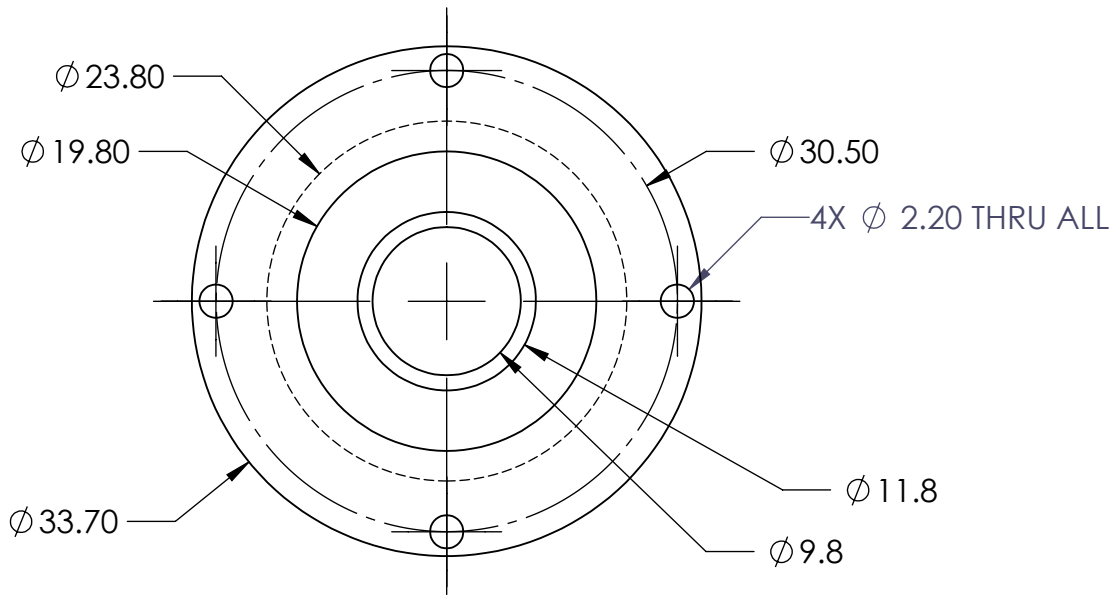


REVISIONS

ZONE	REV.	DESCRIPTIONS	DATE	APP.



COLOR	WAVE LENGHT
RED:	630nm
GREEN:	525nm
BLUE:	470nm
WHITE:	--
IR 850:	850nm
IR 940:	940nm
UV:	375nm
RGB:	620nm/525nm/470nm



DESIGN BY	KB TAN	UNIT:	PRODUCT SERIES: LSQ SERIES		
CHECK BY	KB TAN	MM			
DATE	2/11/2018	REVISION:			
MATERIAL	CLEAR PERSPEX	01	TITLE	DIFFUSER RADIUS	COLOUR: - - -
FINISHING	SANDBLASTING	SCALE:	PART NO	-	VOLTAGE: - - -
QTY	1	1 : 1	DWG NO	LSQ-00-033-1-X-24V-04(REV01)	CURRENT: - - -
					POWER: - - -
					SHEET 1 OF 1