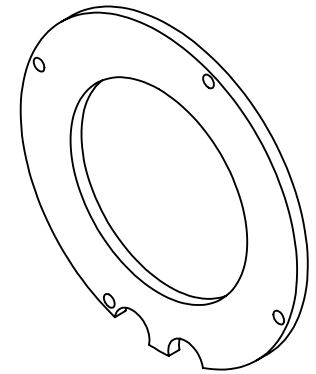
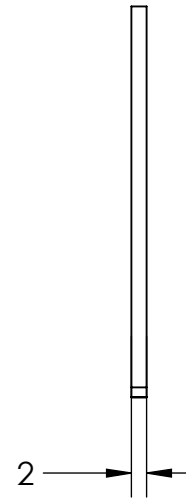
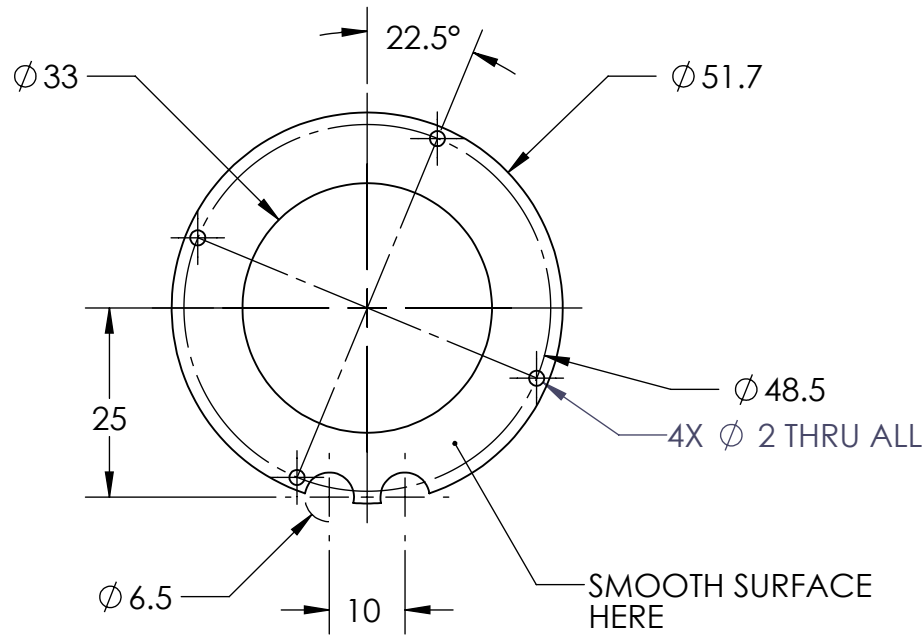


REVISIONS				
ZONE	REV.	DESCRIPTIONS	DATE	APP.



COLOR	WAVE LENGHT
RED:	630nm
GREEN:	525nm
BLUE:	470nm
WHITE:	--
IR 850:	850nm
IR 940:	940nm
UV:	375nm
RGB:	620nm/525nm/470nm



DESIGN BY	KB TAN	UNIT:	PRODUCT SERIES: LSQ SERIES					
CHECK BY	KB TAN	MM						
DATE	8/3/2019	REVISION:						
MATERIAL	TW433C	01	TITLE	DIFFUSER	COLOUR:	-	-	-
FINISHING	-	SCALE:	PART NO	-	VOLTAGE:	-	-	-
QTY	1	1 : 1	DWG NO	LSQ-00-051-1-X-24V-05(REV01)	CURRENT:	-	-	-
					POWER:	-	-	-
					SHEET 1 OF 1			