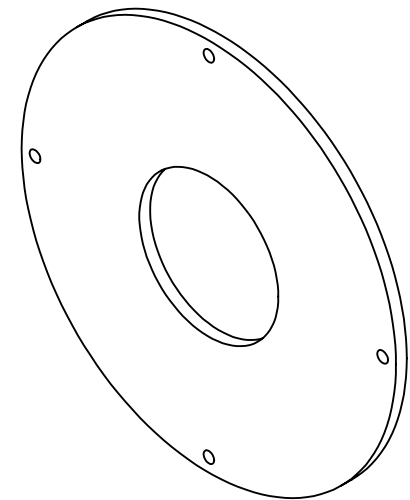
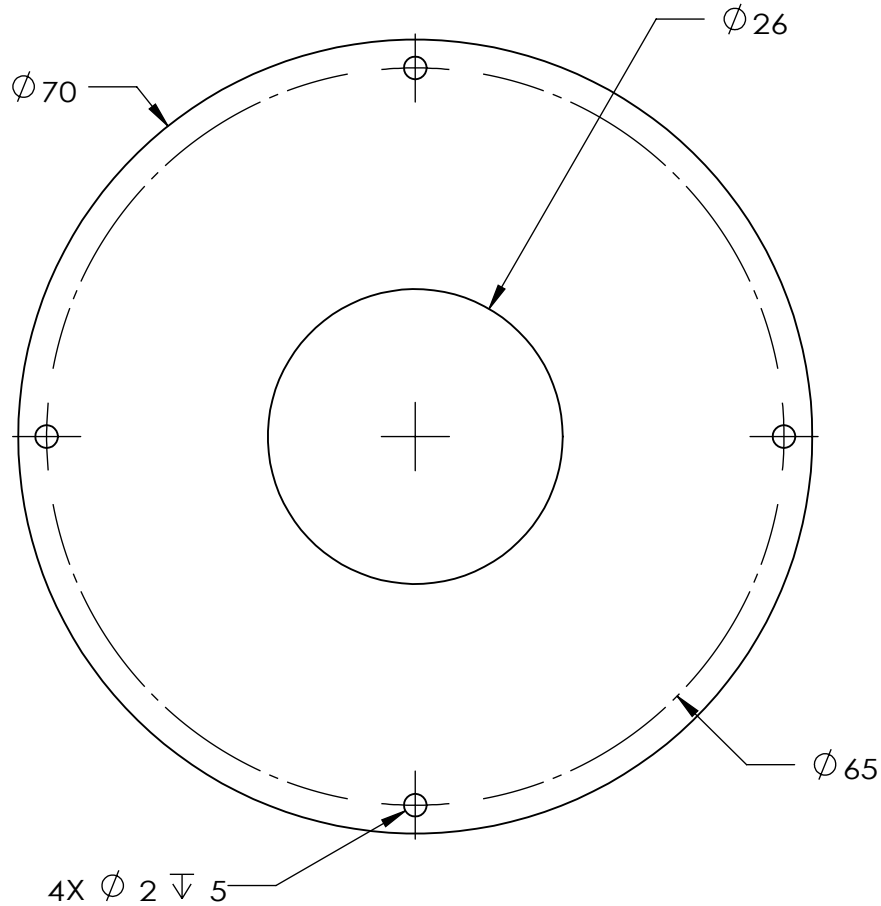
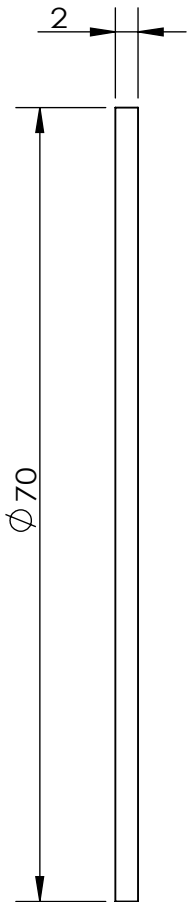


| REVISIONS |      |              |      |      |
|-----------|------|--------------|------|------|
| ZONE      | REV. | DESCRIPTIONS | DATE | APP. |
|           |      |              |      |      |



| COLOR   | WAVE LENGHT       |
|---------|-------------------|
| RED:    | 660nm             |
| GREEN:  | 525nm             |
| BLUE:   | 470nm             |
| WHITE:  | -                 |
| IR 850: | 850nm             |
| IR 940: | 940nm             |
| UV:     | 380-385nm         |
| RGB:    | 660nm/525nm/470nm |



|           |                          |              |                              |   |   |
|-----------|--------------------------|--------------|------------------------------|---|---|
| DESIGN BY | SL LEE                   | UNIT:        | MM                           |   |   |
| CHECK BY  | KB TAN                   | REVISION:    | 04                           |   |   |
| DATE      | 16/06/2015               | SCALE:       | 2 : 1                        |   |   |
| MATERIAL  | PERSPEX TW433C<br>2.0 mm | TITLE        | DIFFUSER- PERSPEX (TW433C)   |   |   |
| FINISHING | -                        | PART NO      | LSW-00-070-3-X-24V           |   |   |
| QTY       | 1                        | DWG NO       | LSW-00-070-3-X-24V-03(REV04) |   |   |
|           |                          | COLOUR:      | -                            | - | - |
|           |                          | VOLTAGE:     | -                            | - | - |
|           |                          | CURRENT:     | -                            | - | - |
|           |                          | POWER:       | -                            | - | - |
|           |                          | SHEET 3 OF 3 |                              |   |   |

**PRODUCT SERIES: LSW SERIES**