

1 2 3 4 5 6 7 8

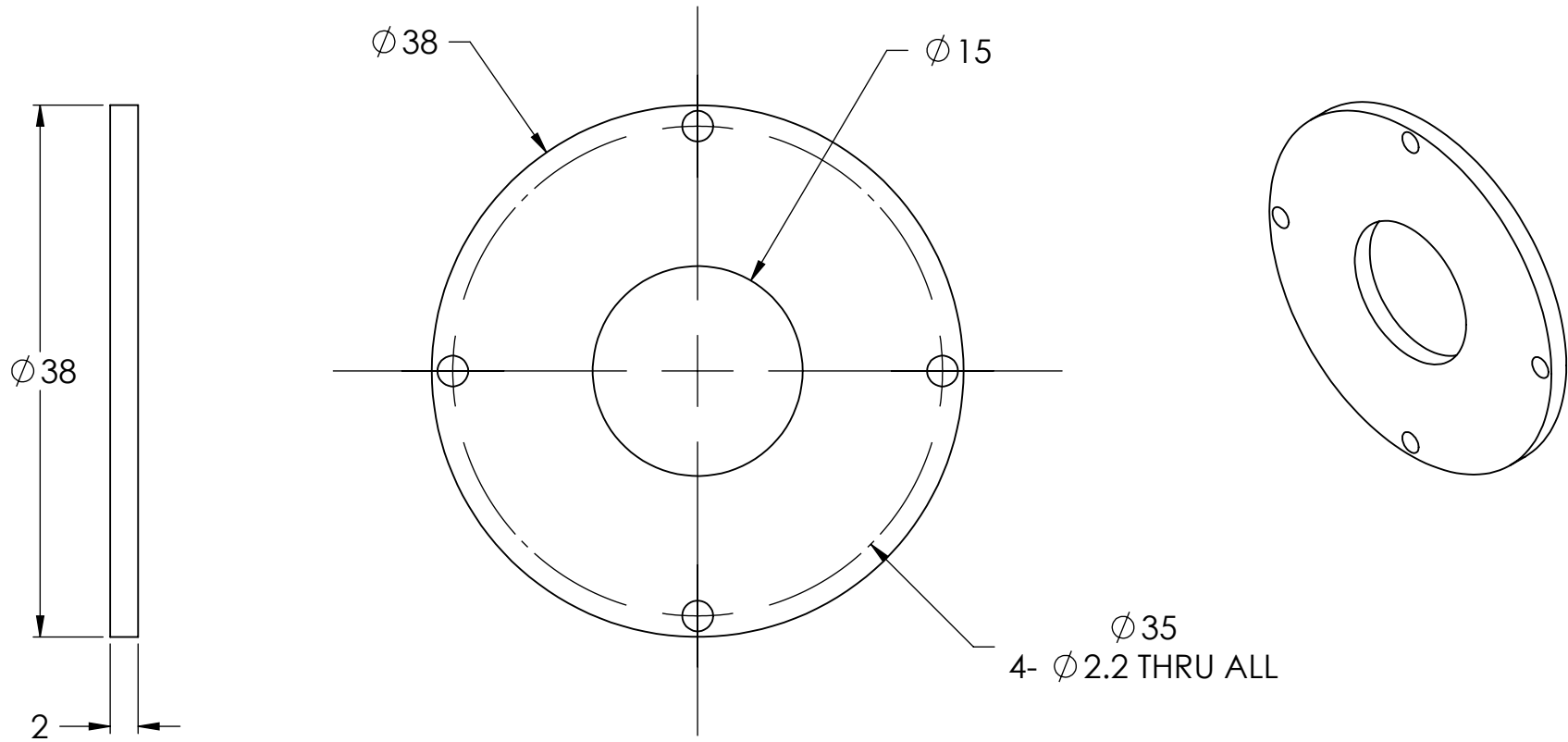
REVISIONS			
REV.	DESCRIPTIONS	EDIT BY	DATE:(d/m/y)
01	CUSTOMIZE NEW	MUZAKKIR	7/08/2019
-	-	-	DD/MM/YYYY

D D

C C

B B

A A



COLOR	WAVE LENGHT
RED:	660nm
GREEN:	525nm
BLUE:	470nm
WHITE:	--
IR 850:	850nm
IR 940:	940nm
UV:	380-385nm
RGB:	660nm/525nm/470nm

CUSTOMER APPROVED
& DATE



DESIGN BY	MUZAKKIR	UNIT:	MM
CHECK BY	KB TAN	REVISION:	01
DATE	7/08/2019	SCALE:	2 : 1
MATERIAL	TW433C PERSPEX 2.0mm		
FINISHING	-		
QTY	1		

PRODUCT SERIES: LSW SERIES			
TITLE	DRAWING LAYOUT	COLOUR:	- - -
PART NO	LSW-15-038-2-DIFFUSER	VOLTAGE:	- - -
DWG NO	-	CURRENT:	- - -
		POWER:	- - -
		SHEET 3 OF 3	

1 2 3 4 5 6 7 8