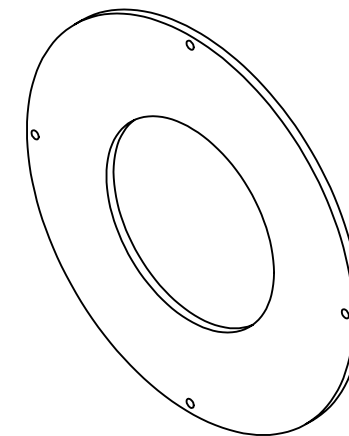
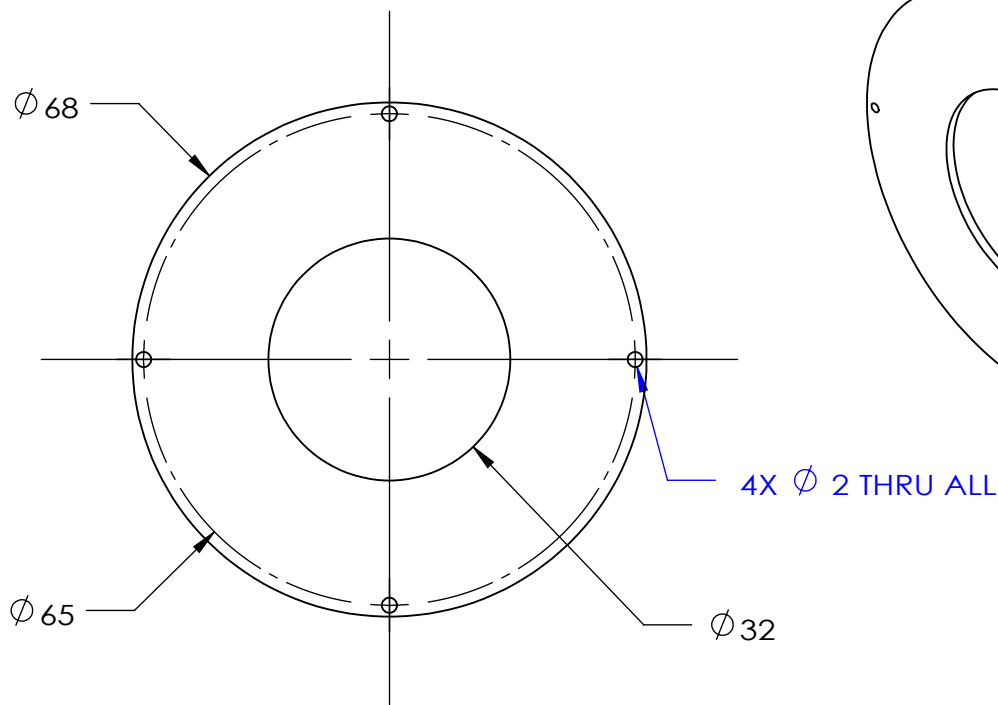
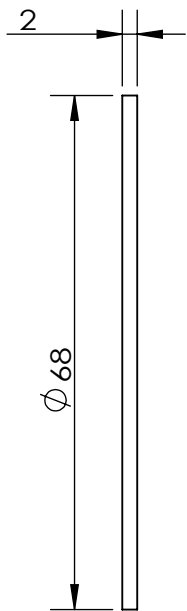


REVISIONS				
ZONE	REV.	DESCRIPTIONS	DATE	APP.



COLOR	WAVE LENGHT
RED:	660nm
GREEN:	525nm
BLUE:	470nm
WHITE:	-
IR 850:	850nm
IR 940:	940nm
UV:	380-385nm
RGB:	660nm/525nm/470nm



DESIGN BY	FY LEE	UNIT:	PRODUCT SERIES: LSW SERIES		
CHECK BY	CC-OOI	MM			
DATE	14/04/2014	REVISION:			
MATERIAL	WHITE PERSPEX TW 433C 2.0mm	02	TITLE	DIFFUSER-TW 433C 2.0mm	
FINISHING	B/ANOD	SCALE:	PART NO	LSW-15-070-3-X-24V	
QTY	1	2 : 3	DWG NO	LSW-15-070-3-X-24V-03(REV 02)	
			COLOUR:	-	-
			VOLTAGE:	-	-
			CURRENT:	-	-
			POWER:	-	-
			SHEET 3 OF 3		