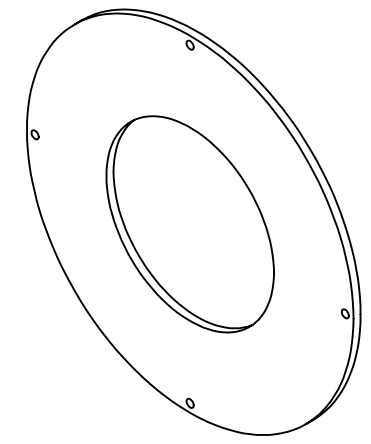
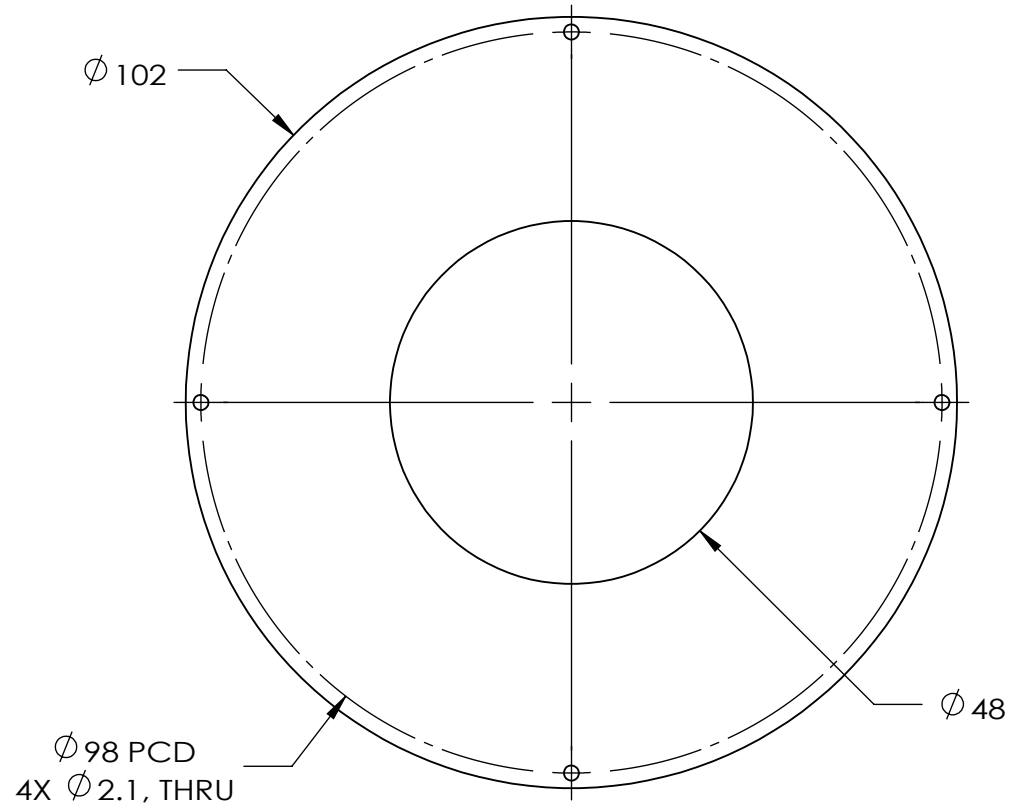
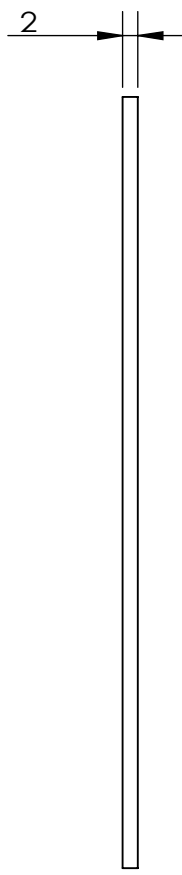


REVISIONS				
ZONE	REV.	DESCRIPTIONS	DATE	APP.



COLOR	WAVE LENGHT
RED:	660nm
GREEN:	525nm
BLUE:	470nm
WHITE:	-
IR 850:	850nm
IR 940:	940nm
UV:	380-385nm
RGB:	660nm/525nm/470nm



DESIGN BY	CC OOI	UNIT:	PRODUCT SERIES: LSW SERIES				
CHECK BY	CC OOI	MM					
DATE	11/02/2014	REVISION:	TITLE	DIFFUSER-TW 433C 2.0mm	COLOUR:	-	-
MATERIAL	WHITE PERSPEX TW 433C 2.0mm	03	PART NO	LSW-15-100-4-X-24V	VOLTAGE:	-	-
FINISHING	-	SCALE:	DWG NO	LSW-15-100-4-X-24V-03(REV03)	CURRENT:	-	-
QTY	1	2 : 3			POWER:	-	-