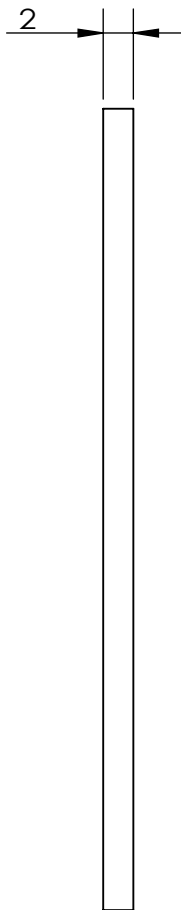
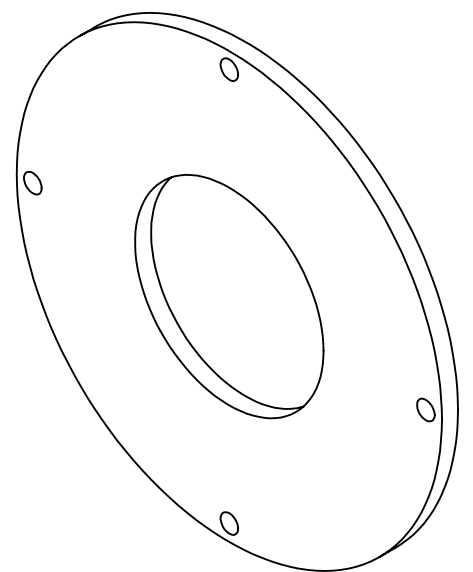
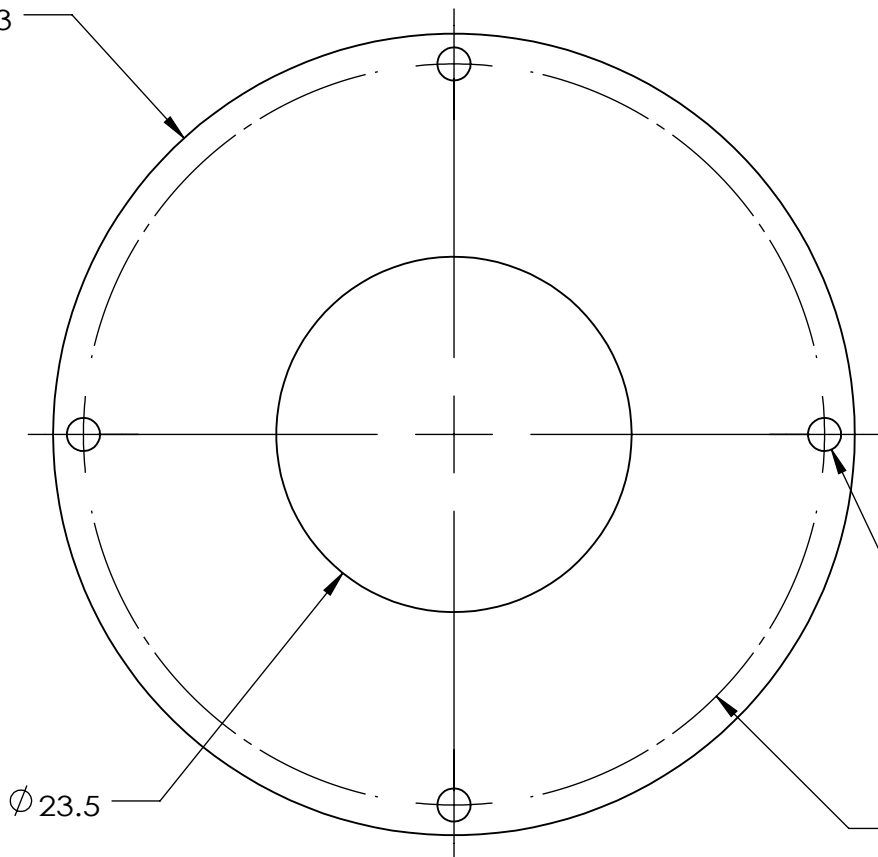


REVISIONS				
ZONE	REV.	DESCRIPTIONS	DATE	APP.



Ø 53



COLOR	WAVE LENGHT
RED:	660nm
GREEN:	525nm
BLUE:	470nm
WHITE:	-
IR 850:	850nm
IR 940:	940nm
UV:	380-385nm
RGB:	660nm/525nm/470nm



DESIGN BY	CC OOI	UNIT:	MM
CHECK BY	CC OOI	REVISION:	
DATE	22/01/2014	REVISION:	03
MATERIAL	WHITE PERSPEX TW433C 2.0mm	SCALE:	2 : 1
FINISHING	-		
QTY	1		

PRODUCT SERIES: LSW SERIES			
TITLE	DIFFUSER-TW 433C-2.0mm	COLOUR:	- - -
PART NO	LSW-30-050-2-X-24V	VOLTAGE:	- - -
DWG NO	LSW-30-050-2-X-24V-03(REV03)	CURRENT:	- - -
		POWER:	- - -
			SHEET 3 OF 3