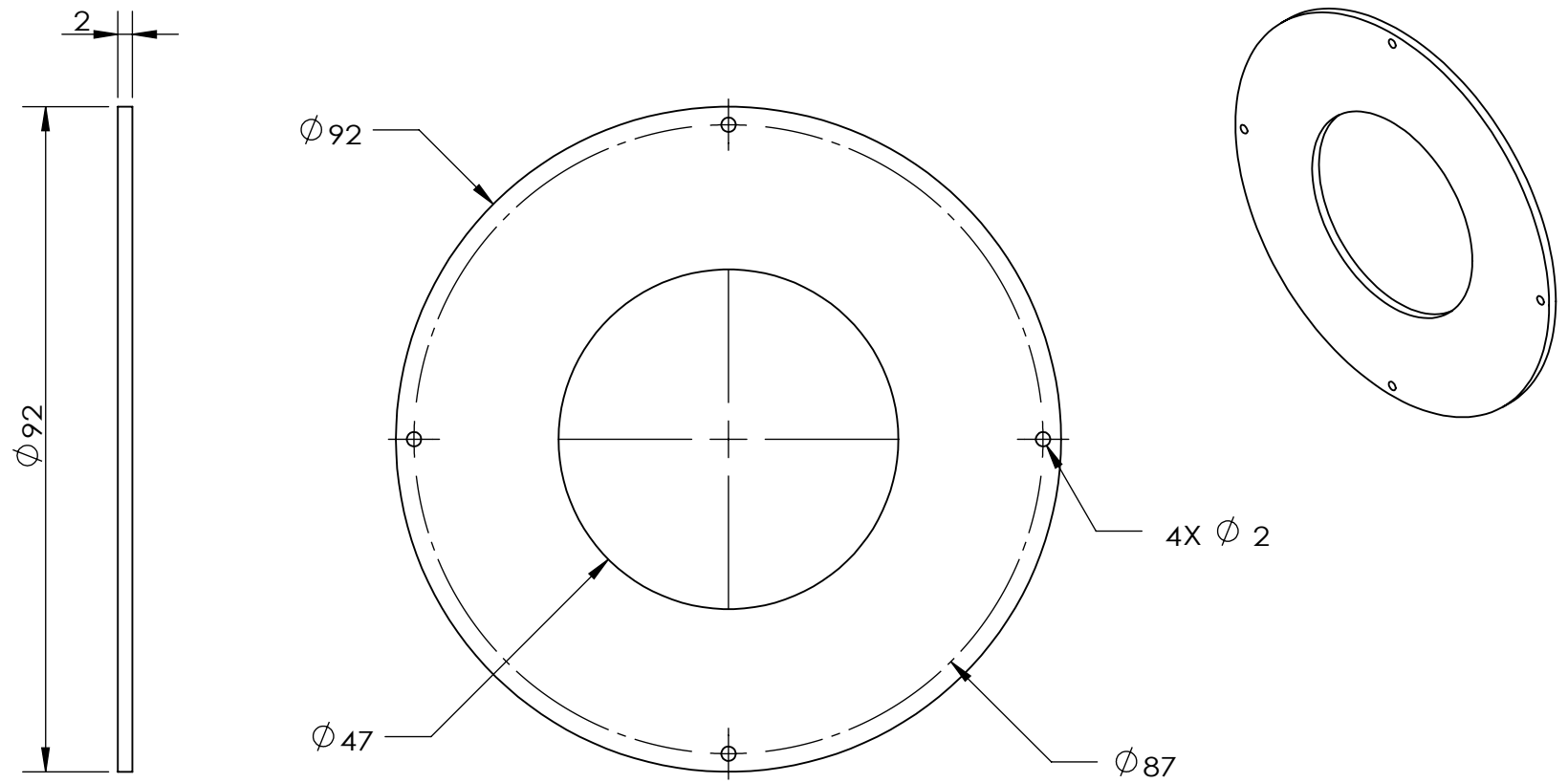


1 2 3 4 5 6 7 8

REVISIONS				
ZONE	REV.	DESCRIPTIONS	DATE	APP.



COLOR	WAVE LENGHT
RED:	660nm
GREEN:	525nm
BLUE:	470nm
WHITE:	-
IR 850:	850nm
IR 940:	940nm
UV:	380-385nm
RGB:	660nm/525nm/470nm



DESIGN BY	GP KHAW	UNIT:	PRODUCT SERIES: LSW SERIES		
CHECK BY	EH-LOH	MM			
DATE	03/02/2012	REVISION:			
MATERIAL	WHITE PERSPEX TW433C 2.0mm	02	TITLE	DIFFUSER-TW 433C-2.0mm	
FINISHING	-	SCALE:	PART NO	LSW-30-090-4-X-24V	
QTY	1	1 : 1	DWG NO	LSW-30-090-4-X-24V-03(REV02)	
			COLOUR:	-	-
			VOLTAGE:	-	-
			CURRENT:	-	-
			POWER:	-	-
			SHEET 3 OF 3		

1 2 3 4 5 6 7 8

D  
C  
B  
A

D  
C  
B  
A