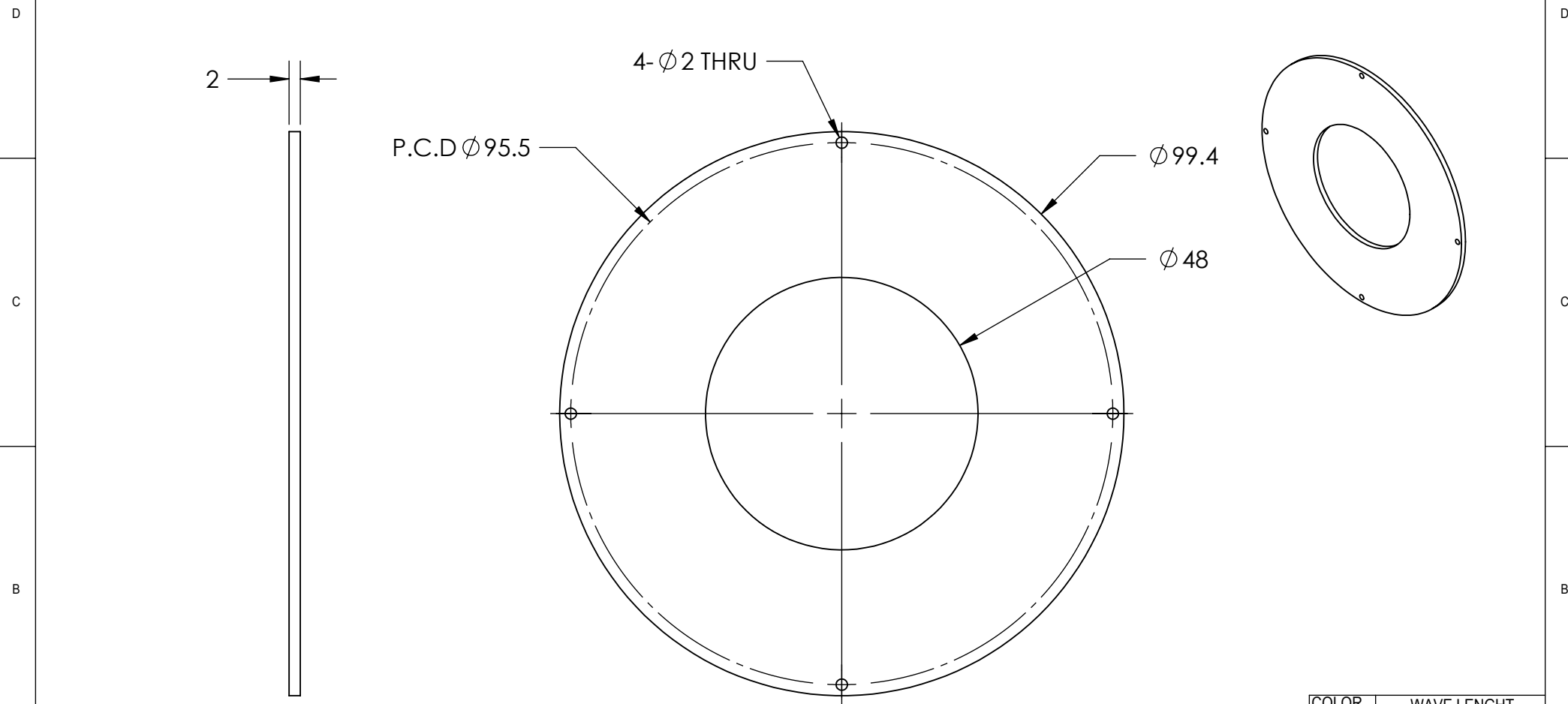


1 2 3 4 5 6 7 8

REVISIONS				
ZONE	REV.	DESCRIPTIONS	DATE	APP.



COLOR	WAVE LENGHT
RED:	660nm
GREEN:	525nm
BLUE:	470nm
WHITE:	--
IR 850:	850nm
IR 940:	940nm
UV:	380-385nm
RGB:	660nm/525nm/470nm

DESIGN BY	KB TAN	UNIT:	MM
CHECK BY	KB TAN	REVISION:	03
DATE	09/10/2017	SCALE:	1 : 1
MATERIAL	WHITE PERSEPX TW433C 2.0MM		
FINISHING	-		
QTY	1		

PRODUCT SERIES: LSW SERIES			
TITLE	DIFFUSER-PERSEPX TW433C	COLOUR:	- - -
PART NO	LSW-45-100-5-X-24V	VOLTAGE:	- - -
DWG NO	LSW-45-100-5-X-24V-03(REV03)	CURRENT:	- - -
		POWER:	- - -
		SHEET 3 OF 3	



1 2 3 4 5 6 7 8

A A