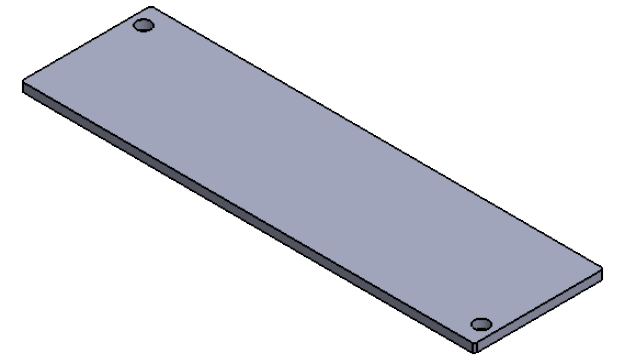
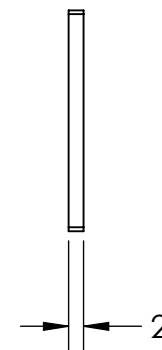
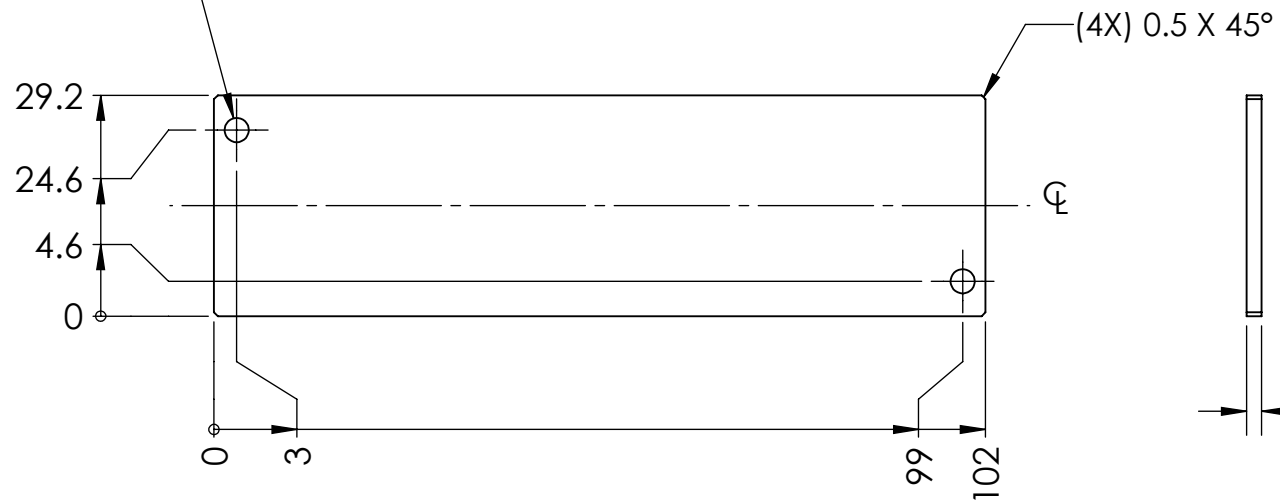


REVISIONS

ZONE	REV.	DESCRIPTIONS	DATE	APP.
------	------	--------------	------	------



2X Ø 3.20 THRU



COLOR	WAVE LENGHT
RED:	630nm
GREEN:	525nm
BLUE:	470nm
WHITE:	--
IR 850:	850nm
IR 940:	940nm
UV:	375nm
RGB:	620nm/525nm/470nm



DESIGN BY	AFIZA	UNIT: MM	PRODUCT SERIES : MLBX2 SERIES				
CHECK BY	KB TAN						
DATE	17/2/2017	REVISION: 01	TITLE	DIFFUSER TW433C	COLOUR:	-	-
MATERIAL	TW433C	SCALE: 1 : 1	PART NO	MLBX2-00-090-2-X-24V	VOLTAGE:	-	-
FINISHING	-		DWG NO	MLBX2-00-090-2-X-24V-06(REV01)	CURRENT:	-	-
QTY	1				POWER:	-	-