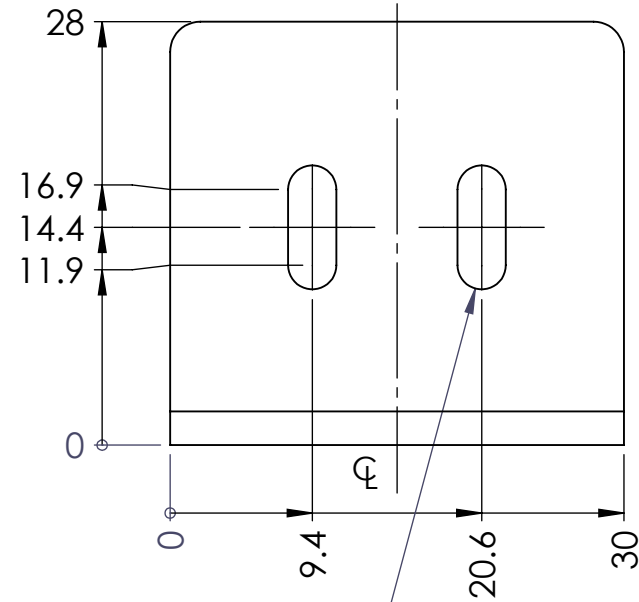
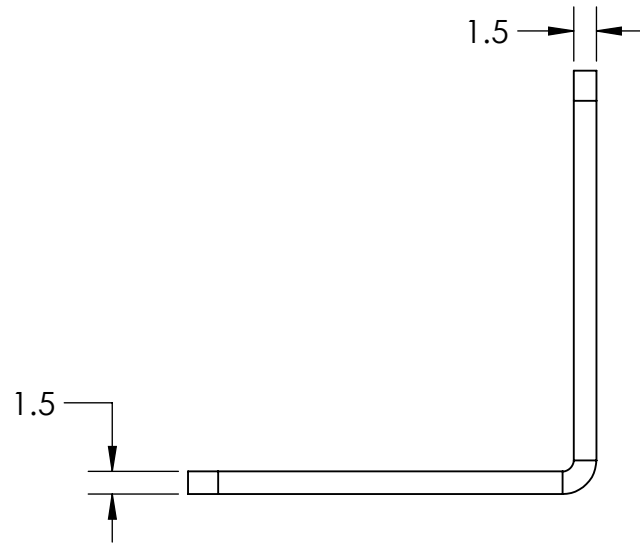
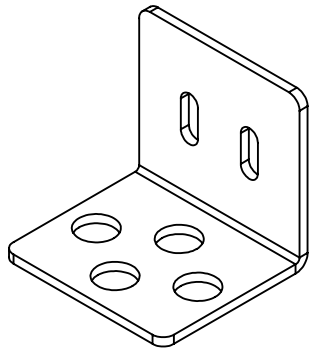
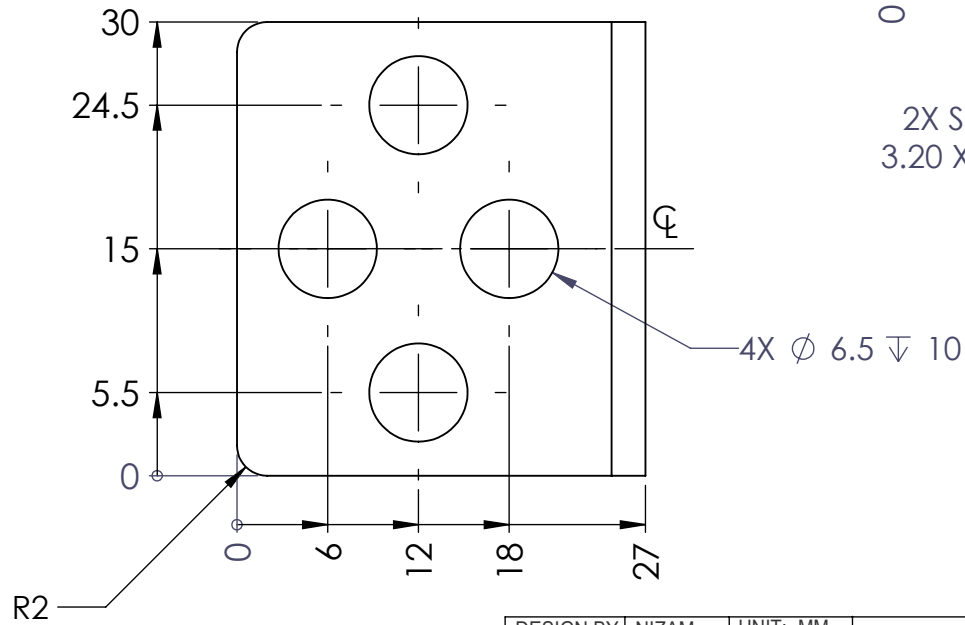


REVISIONS

| ZONE | REV. | DESCRIPTIONS | DATE | APP. |
|------|------|--------------|------|------|
|      |      |              |      |      |



2X SLOT  
3.20 X 8.20



| COLOR   | WAVE LENGHT       |
|---------|-------------------|
| RED:    | 630nm             |
| GREEN:  | 525nm             |
| BLUE:   | 470nm             |
| WHITE:  | --                |
| IR 850: | 850nm             |
| IR 940: | 940nm             |
| UV:     | 375nm             |
| RGB:    | 620nm/525nm/470nm |

|           |                 |              |
|-----------|-----------------|--------------|
| DESIGN BY | NIZAM           | UNIT: MM     |
| CHECK BY  | KB TAN          | SIZE A4      |
| DATE      | 12/11/2020      | SCALE: 1 : 1 |
| MATERIAL  | STAINLESS STEEL | REVISION: 02 |
| FINISHING | HAIRLINE        | WEIGHT:      |
| QTY       | 1               |              |

PRODUCT SERIES: BRACKET SERIES

|         |                          |                 |
|---------|--------------------------|-----------------|
| TITLE   | L-BRACKET                | GEN. TOLERANCES |
| PART NO | -                        | X ±0.15         |
| DWG NO  | BHLX3-MOUNTING-01(REV02) | X.X ±0.1        |
|         |                          | X.XX ±0.05      |
|         |                          | SHEET 1 OF 1    |

