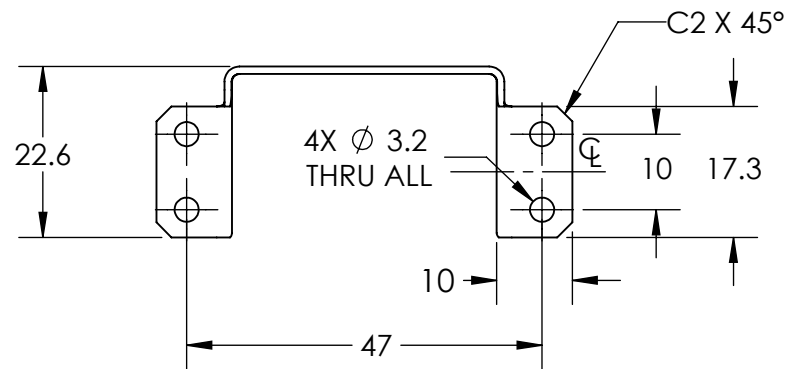
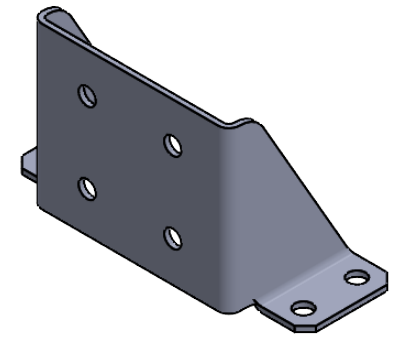
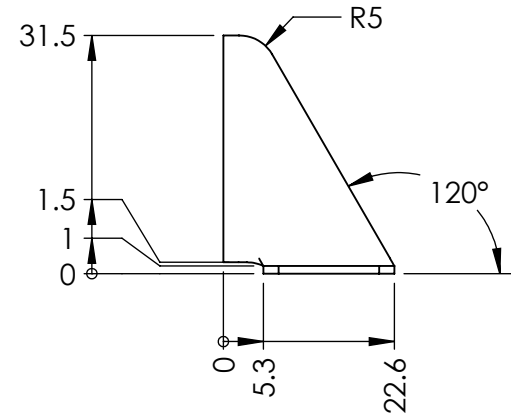
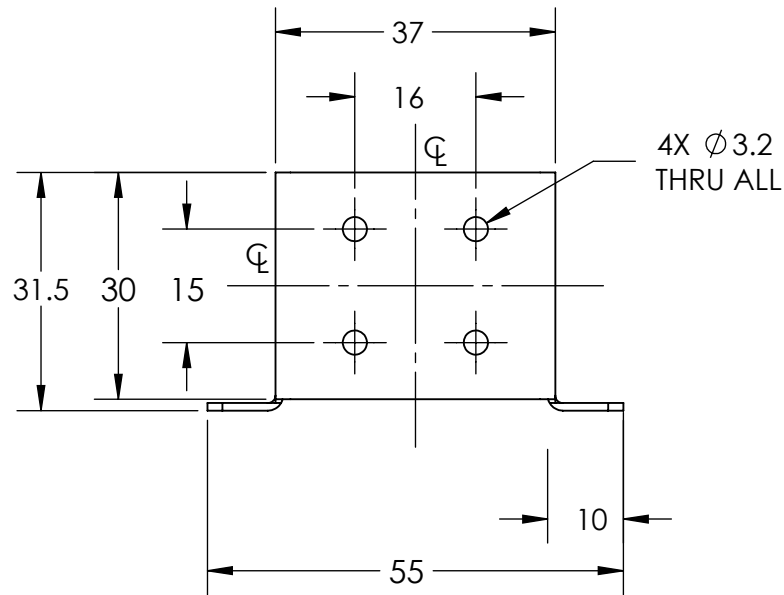


REVISIONS

ZONE	REV.	DESCRIPTIONS	DATE	APP.
------	------	--------------	------	------



COLOR	WAVE LENGHT
RED:	630nm
GREEN:	525nm
BLUE:	470nm
WHITE:	--
IR 850:	850nm
IR 940:	940nm
UV:	375nm
RGB:	620nm/525nm/470nm



DESIGN BY	NIZAM	UNIT:	PRODUCT SERIES: CAS2 SERIES		
CHECK BY	KB TAN	MM			
DATE	30/7/2021	REVISION:			
MATERIAL	STAINLESS STEEL 1.0MM	01	TITLE	BRACKET	COLOUR: - - -
FINISHING	HAIRLINE	SCALE:	PART NO	-	VOLTAGE: - - -
QTY	1	1 : 1	DWG NO	CAS2-00-025-BRACKET-01(REV01)	CURRENT: - - -
					POWER: - - -
					SHEET 1 OF 1