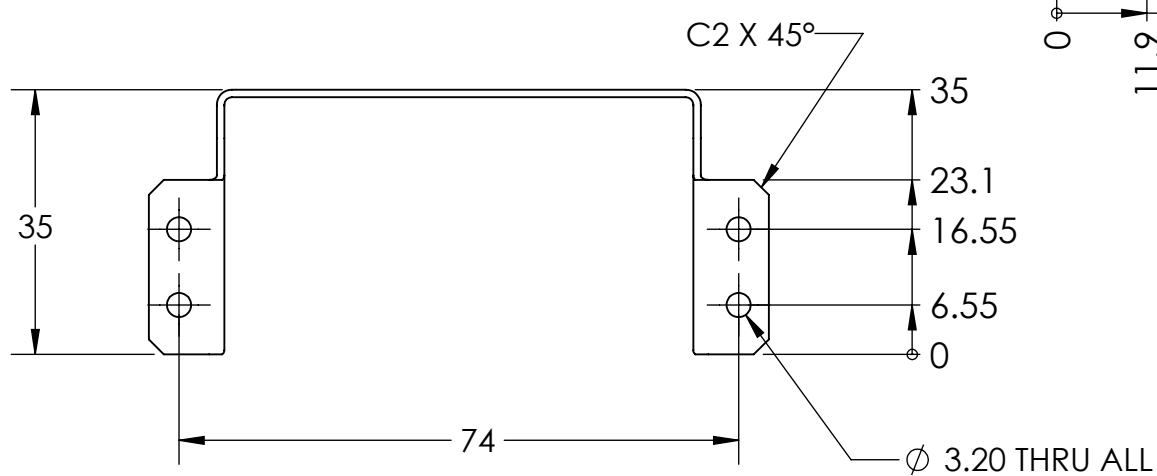
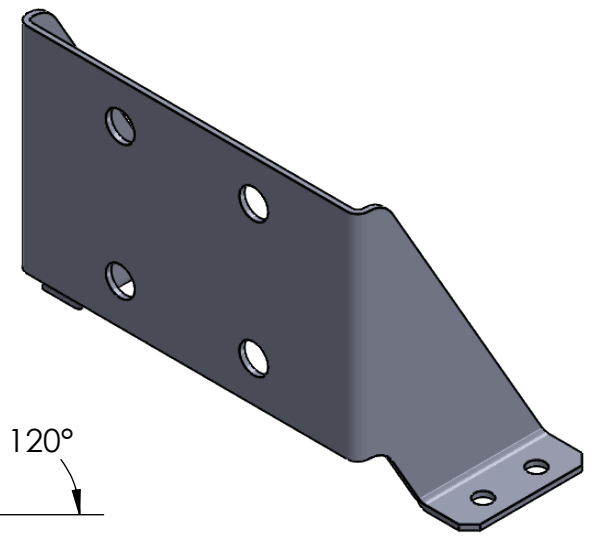
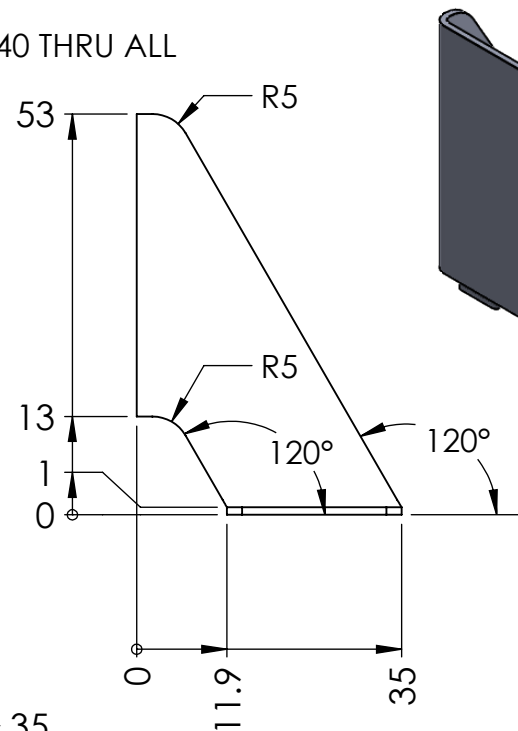
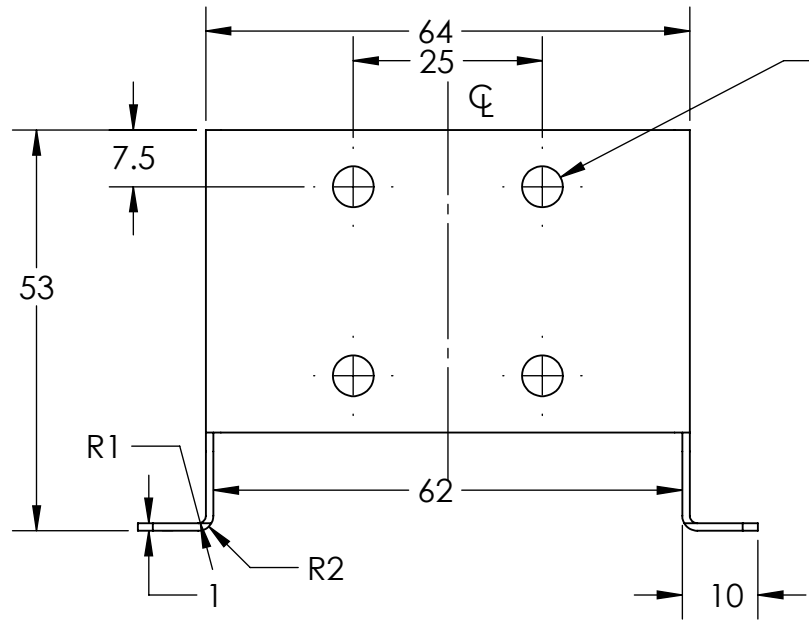


REVISIONS				
ZONE	REV.	DESCRIPTIONS	DATE	APP.



COLOR	WAVE LENGHT
RED:	630nm
GREEN:	525nm
BLUE:	470nm
WHITE:	--
IR 850:	850nm
IR 940:	940nm
UV:	375nm
RGB:	620nm/525nm/470nm

DESIGN BY	FL LUEI	UNIT:	PRODUCT SERIES: CAS2 SERIES		
CHECK BY	KB TAN	MM			
DATE	7/5/2019	REVISION:			
MATERIAL	STANDARD STEEL 1.0MM	01	TITLE	DRAWING LAYOUT	
FINISHING	SHINING	SCALE:	PART NO	CAS2-00-040-X-BRACKET	COLOUR: - - -
QTY	1	1 : 1	DWG NO	-	VOLTAGE: - - -
					CURRENT: - - -
					POWER: - - -
					SHEET 1 OF 1

