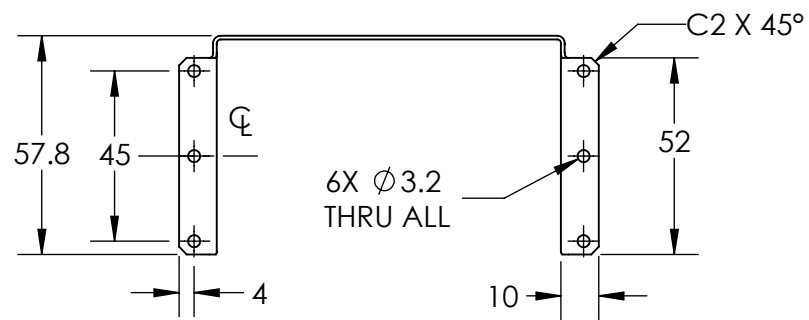
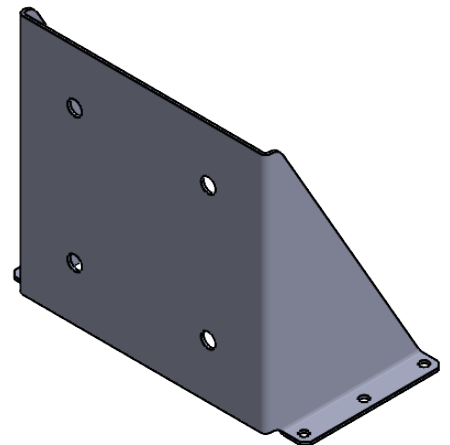
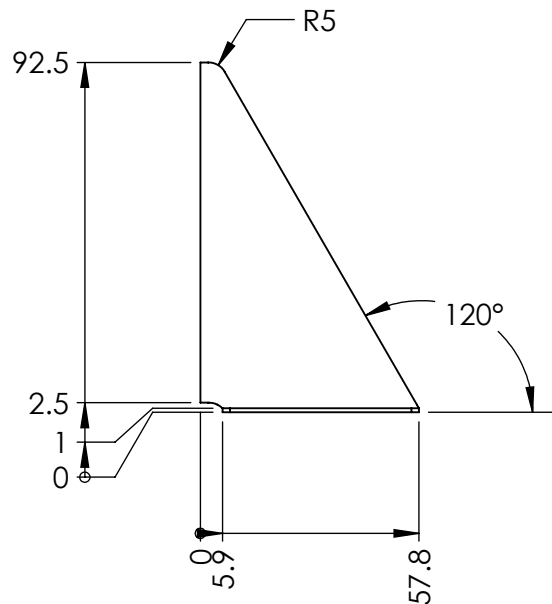
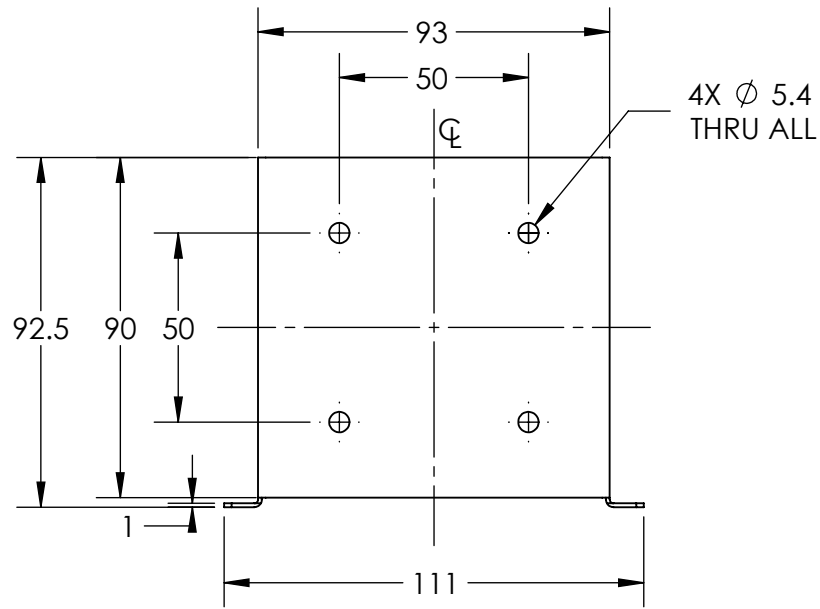


REVISIONS				
ZONE	REV.	DESCRIPTIONS	DATE	APP.



COLOR	WAVE LENGHT
RED:	630nm
GREEN:	525nm
BLUE:	470nm
WHITE:	--
IR 850:	850nm
IR 940:	940nm
UV:	375nm
RGB:	620nm/525nm/470nm



DESIGN BY	NIZAM	UNIT:	MM	PRODUCT SERIES: CAS2 SERIES				
CHECK BY	KB TAN	REVISION:	01	TITLE	BRACKET	COLOUR:	-	-
DATE	30/7/2021	SCALE:	1:2	PART NO	-	VOLTAGE:	-	-
MATERIAL	STAINLESS STEEL 1.0MM	QTY	1	DWG NO	CAS2-00-070-BRACKET-01(REV01)	CURRENT:	-	-
FINISHING	HAIRLINE					POWER:	-	-
						SHEET 1 OF 1		