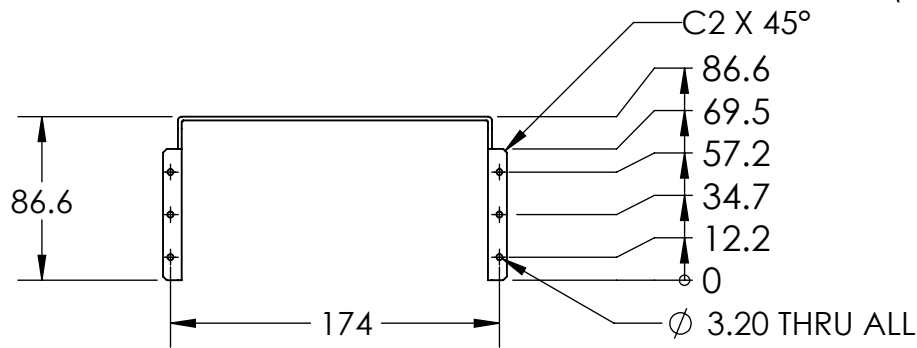
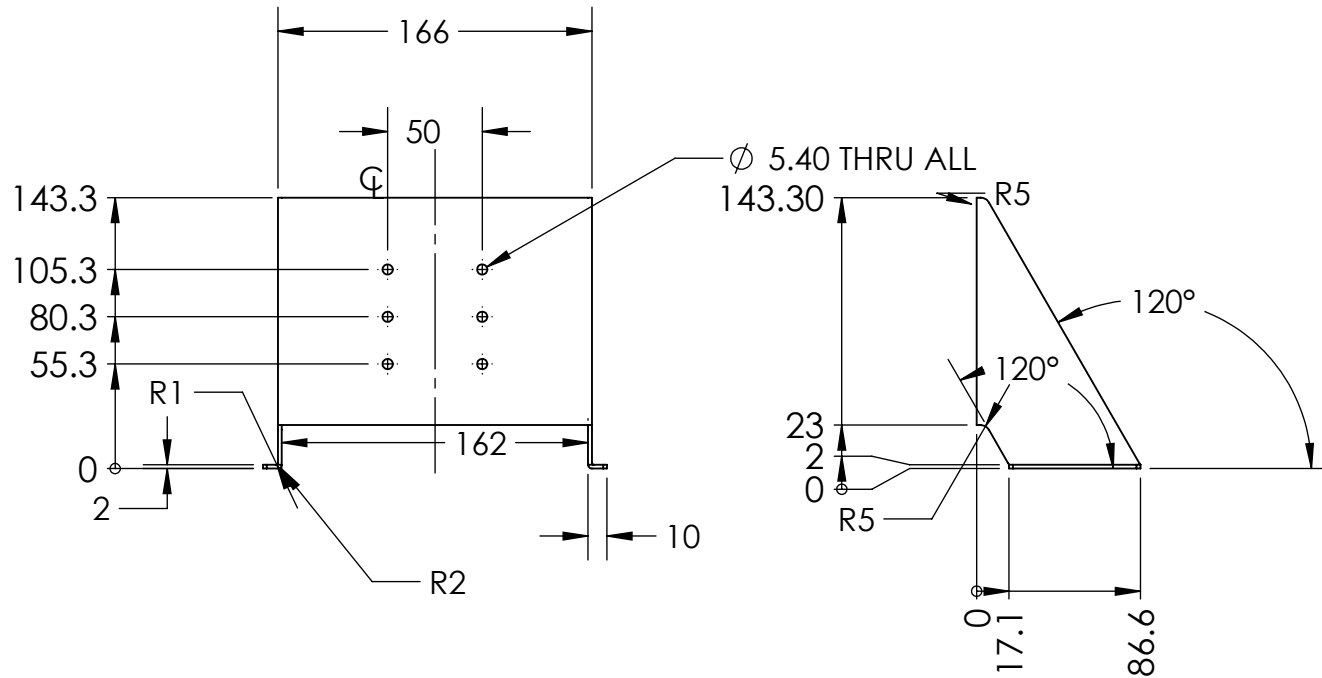
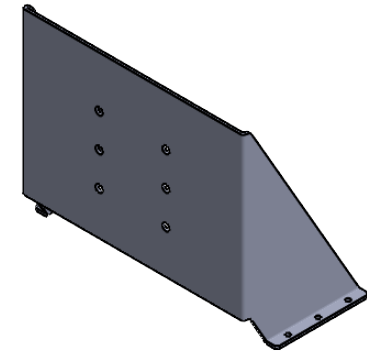


REVISIONS

ZONE	REV.	DESCRIPTIONS	DATE	APP.
------	------	--------------	------	------



COLOR	WAVE LENGHT
RED:	630nm
GREEN:	525nm
BLUE:	470nm
WHITE:	--
IR 850:	850nm
IR 940:	940nm
UV:	375nm
RGB:	620nm/525nm/470nm



DESIGN BY	NIZAM	UNIT:	PRODUCT SERIES: CAS2 SERIES					
CHECK BY	KB TAN	MM						
DATE	12/7/2021	REVISION:						
MATERIAL	-	01	TITLE	DRAWING LAYOUT	COLOUR:	-	-	-
FINISHING	-	SCALE:	PART NO	CAS2-00-150-BRACKET	VOLTAGE:	-	-	-
QTY	-	1 : 1	DWG NO	-	CURRENT:	-	-	-
					POWER:	-	-	-
					SHEET 1 OF 1			