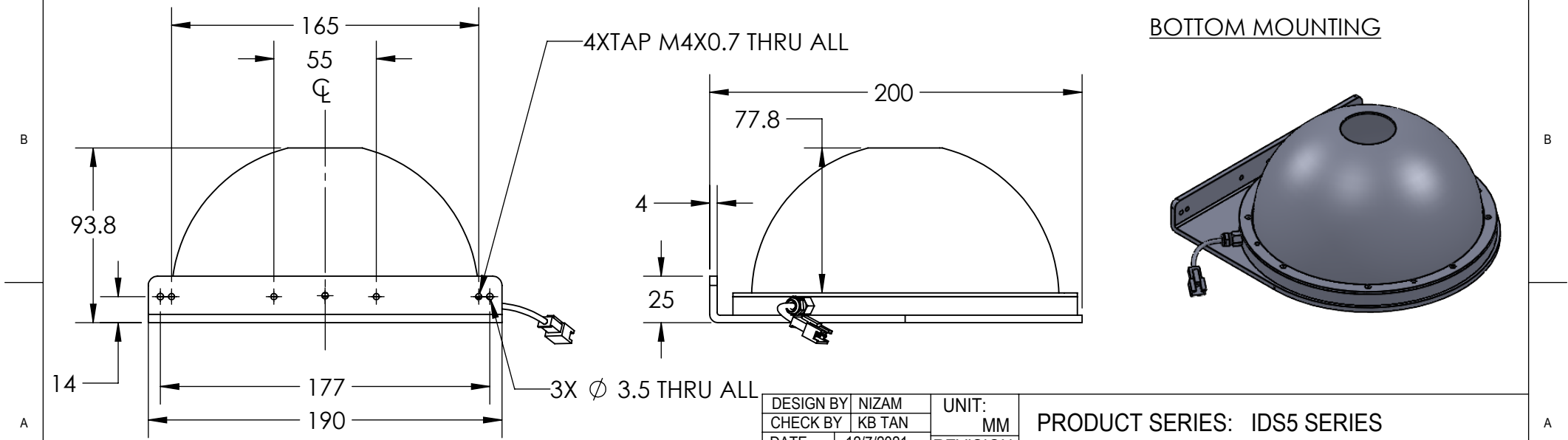


REVISIONS				
ZONE	REV.	DESCRIPTIONS	DATE	APP.

TOP MOUNTING



BOTTOM MOUNTING



DESIGN BY	NIZAM	UNIT: MM	PRODUCT SERIES: IDS5 SERIES				
CHECK BY	KB TAN						
DATE	12/7/2021	REVISION: 01	TITLE	DRAWING LAYOUT	COLOUR:	-	-
MATERIAL	-	SCALE: 1:1	PART NO	IDS5-00-150-X-BRACKET	VOLTAGE:	-	-
FINISHING	-		DWG NO		CURRENT:	-	-
QTY	-				POWER:	-	-
					SHEET 1 OF 1		