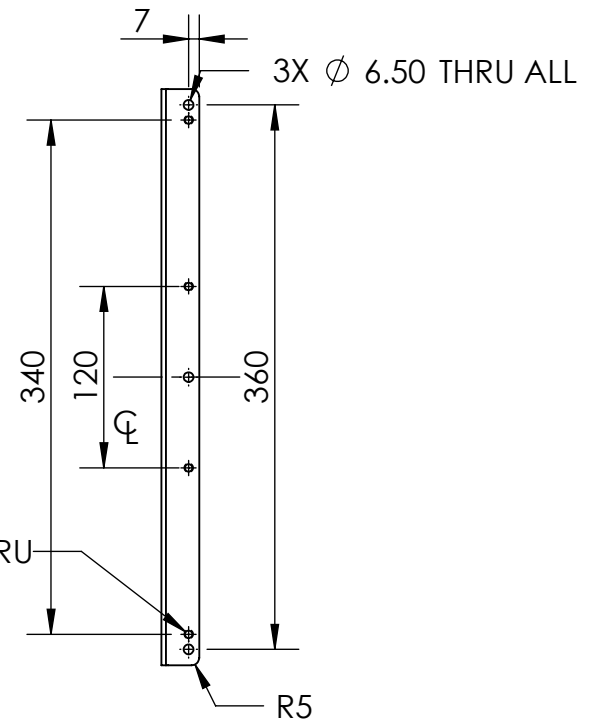
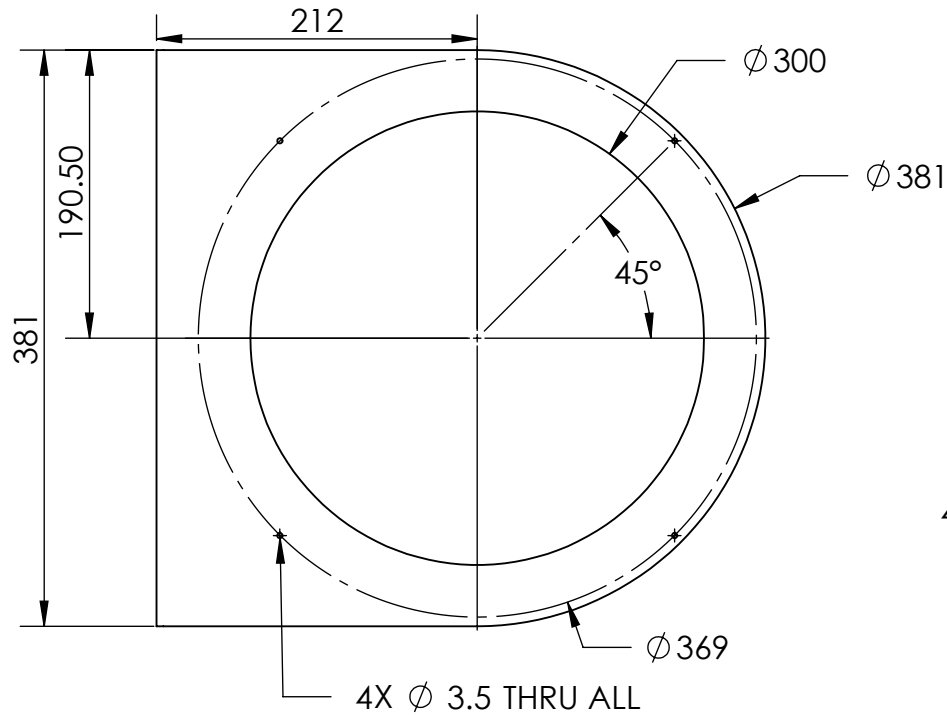
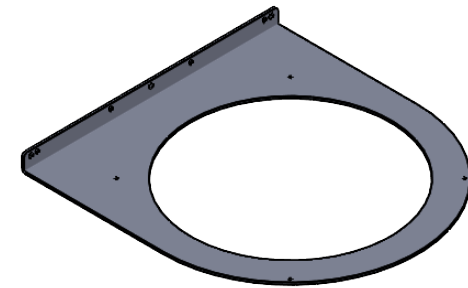
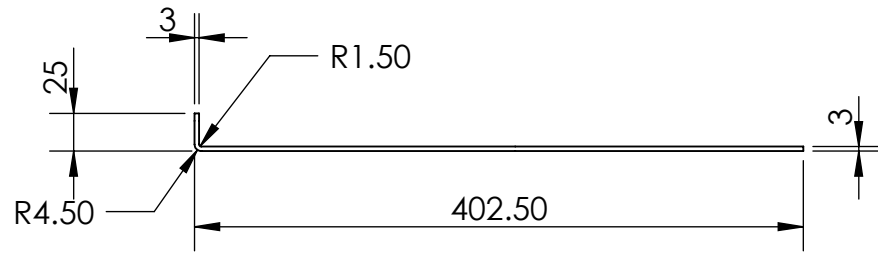


REVISIONS

ZONE	REV.	DESCRIPTIONS	DATE	APP.
------	------	--------------	------	------



DESIGN BY	AMMAR	UNIT:	PRODUCT SERIES: IDS4 SERIES		
CHECK BY	KB TAN	MM			
DATE	3/12/2020	REVISION:	TITLE	MOUNTING TOP BRACKET	COLOUR:
MATERIAL	ALU	01	PART NO	IDS5-00-360-X-X-24V	VOLTAGE:
FINISHING	POWDER COAT 774 BLACK	SCALE:	DWG NO	IDS5-00-360-1-X-24V-05(REV01)	CURRENT:
QTY	1	1 : 5			POWER:
					SHEET 4 OF 4