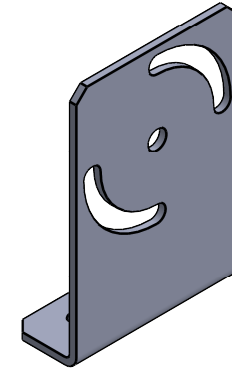
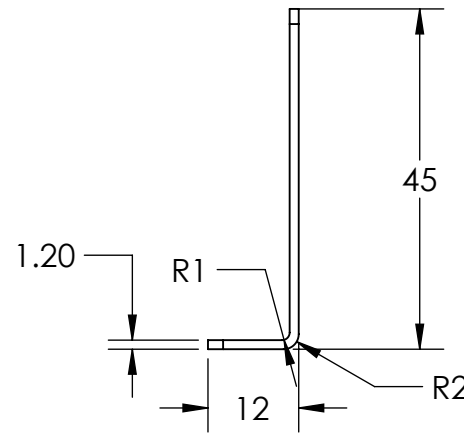
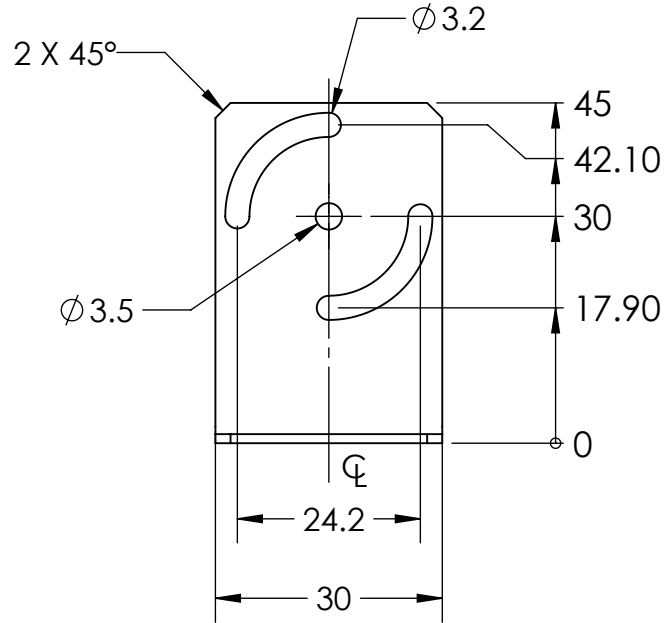


REVISIONS

ZONE	REV.	DESCRIPTIONS	DATE	APP.
------	------	--------------	------	------

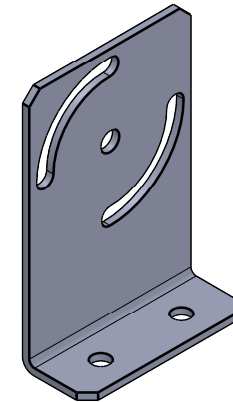
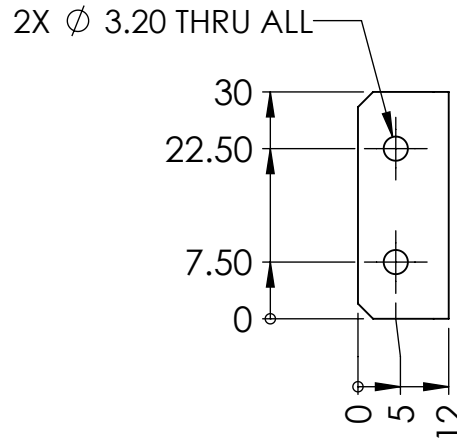
D

D



C

C



B

B

A

A

DESIGN BY	KANG	UNIT:	PRODUCT SERIES: MLBX SERIES				
CHECK BY	KANG	MM					
DATE	11/5/2022	REVISION:					
MATERIAL	STANDARD STEEL 1.2MM	01	TITLE	L-BRACKET (LEFT)	COLOUR:	-	-
FINISHING	SHINING	SCALE:	PART NO	-	VOLTAGE:	-	-
QTY	1	1 : 1	DWG NO	MLBX-BRACKET-02(REV01)	CURRENT:	-	-
					POWER:	-	-
					SHEET 1 OF 1		



1

2

3

4

5

6

7

8

1

2

3

4

5

6

7

8