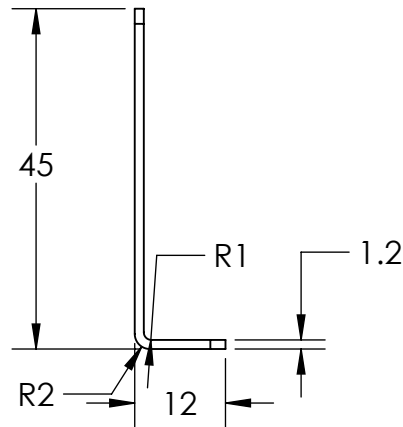
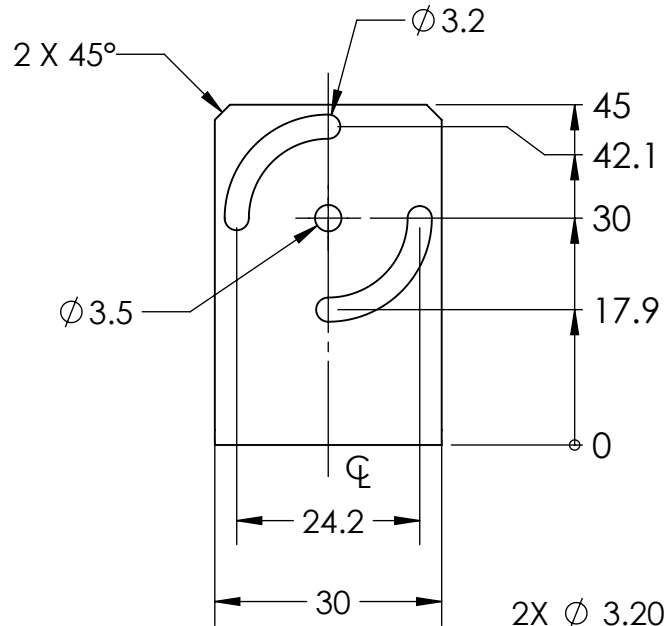
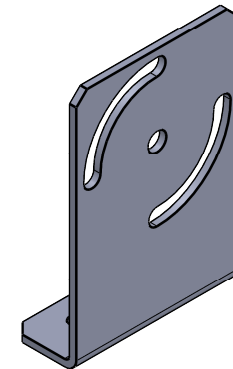
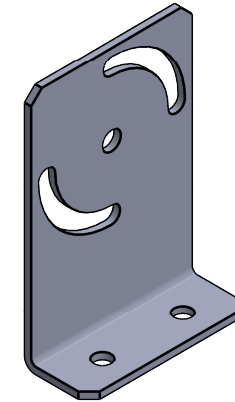
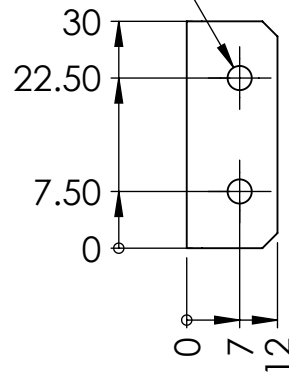


REVISIONS

ZONE	REV.	DESCRIPTIONS	DATE	APP.
------	------	--------------	------	------



2X Ø 3.20 THRU ALL



DESIGN BY	KANG	UNIT:	PRODUCT SERIES: MLBX SERIES				
CHECK BY	KANG	MM					
DATE	11/5/2022	REVISION:					
MATERIAL	STANDARD STEEL 1.2MM	01	TITLE	L-BRACKET (RIGHT)	COLOUR:	-	-
FINISHING	SHINING	SCALE:	PART NO	-	VOLTAGE:	-	-
QTY	1	1 : 1	DWG NO	MLBX-BRACKET-01(REV01)	CURRENT:	-	-
					POWER:	-	-
					SHEET 1 OF 1		