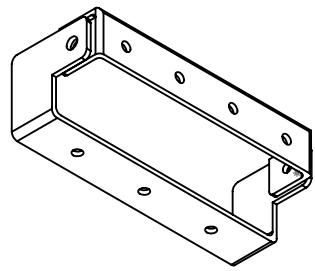
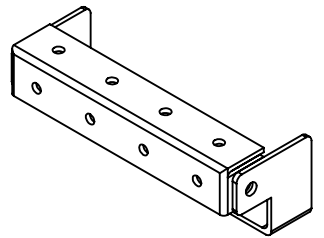
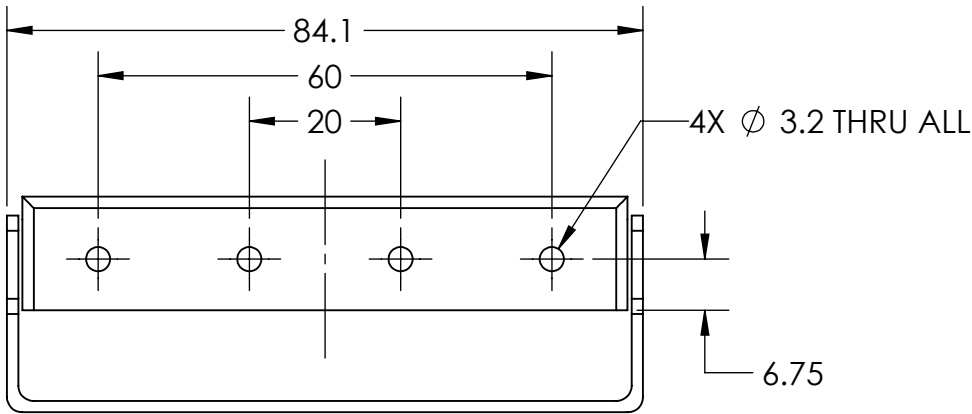
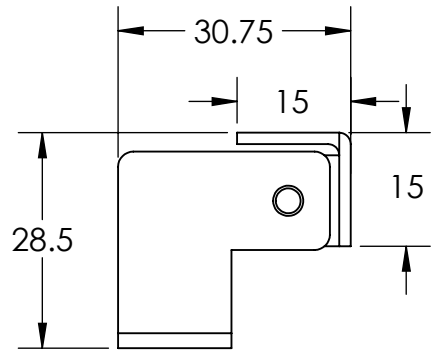


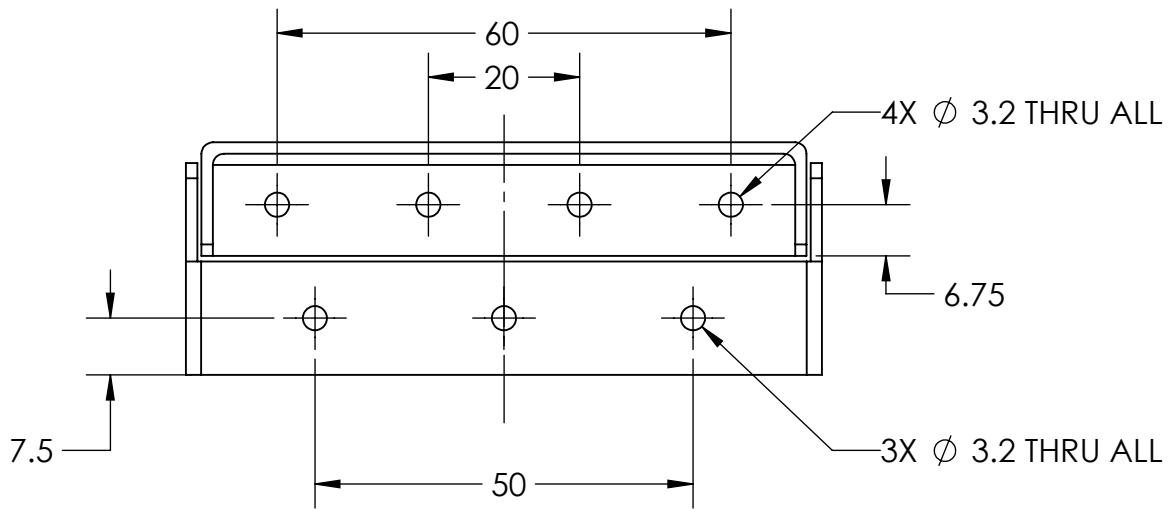
D

D



C

C



B

B

A

A



DESIGN BY	NIZAM	UNIT: MM	PRODUCT SERIES: BRACKET SERIES	
CHECK BY	KB TAN			
DATE	27/1/2021	REVISION: 01	TITLE	DRAWING LAYOUT
MATERIAL	-	SCALE: 1:1	PART NO	ROTATE-BRACKET-BARLIGHT
FINISHING	-		DWG NO	-
QTY	-			SHEET 1 OF 1