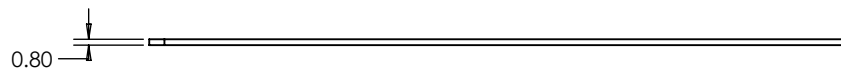
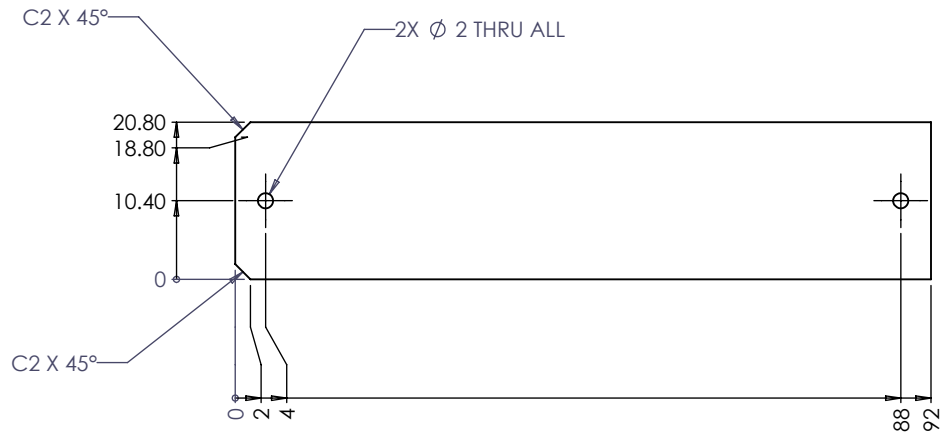
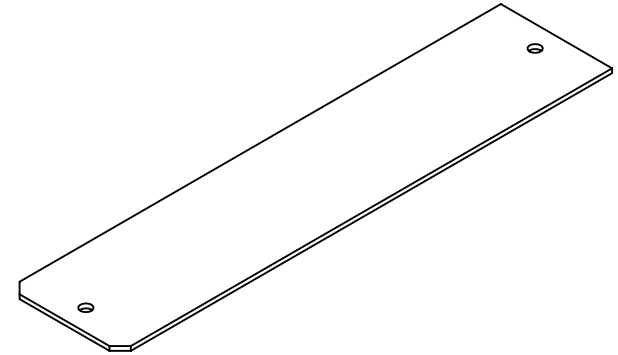


1 2 3 4 5 6 7 8

REVISIONS				
ZONE	REV.	DESCRIPTIONS	DATE	APP.



COLOR	WAVE LENGHT
RED:	630nm
GREEN:	525nm
BLUE:	470nm
WHITE:	--
IR 850:	850nm
IR 940:	940nm
UV:	375nm
RGB:	620nm/525nm/470nm

DESIGN BY	ZI FENG	UNIT: MM
CHECK BY	KB TAN	SIZE A4
DATE	29/10/2021	SCALE: 1 : 1
MATERIAL	POLARIZER FILM	REVISION: 01
FINISHING	-	WEIGHT:
QTY	1	

PRODUCT SERIES: HLBRX SERIES

TITLE	POLARIZER - V
PART NO	HLBRX-00-080-3-X-24V
DWG NO	HLBRX-00-080-3-X-24V-V-07 (REV01)

GEN. TOLERANCES	
X	±0.15
X.X	±0.1
X.XX	±0.05
SHEET 1 OF 1	



1 2 3 4 5 6 7 8

D
C
B
A

D
C
B
A