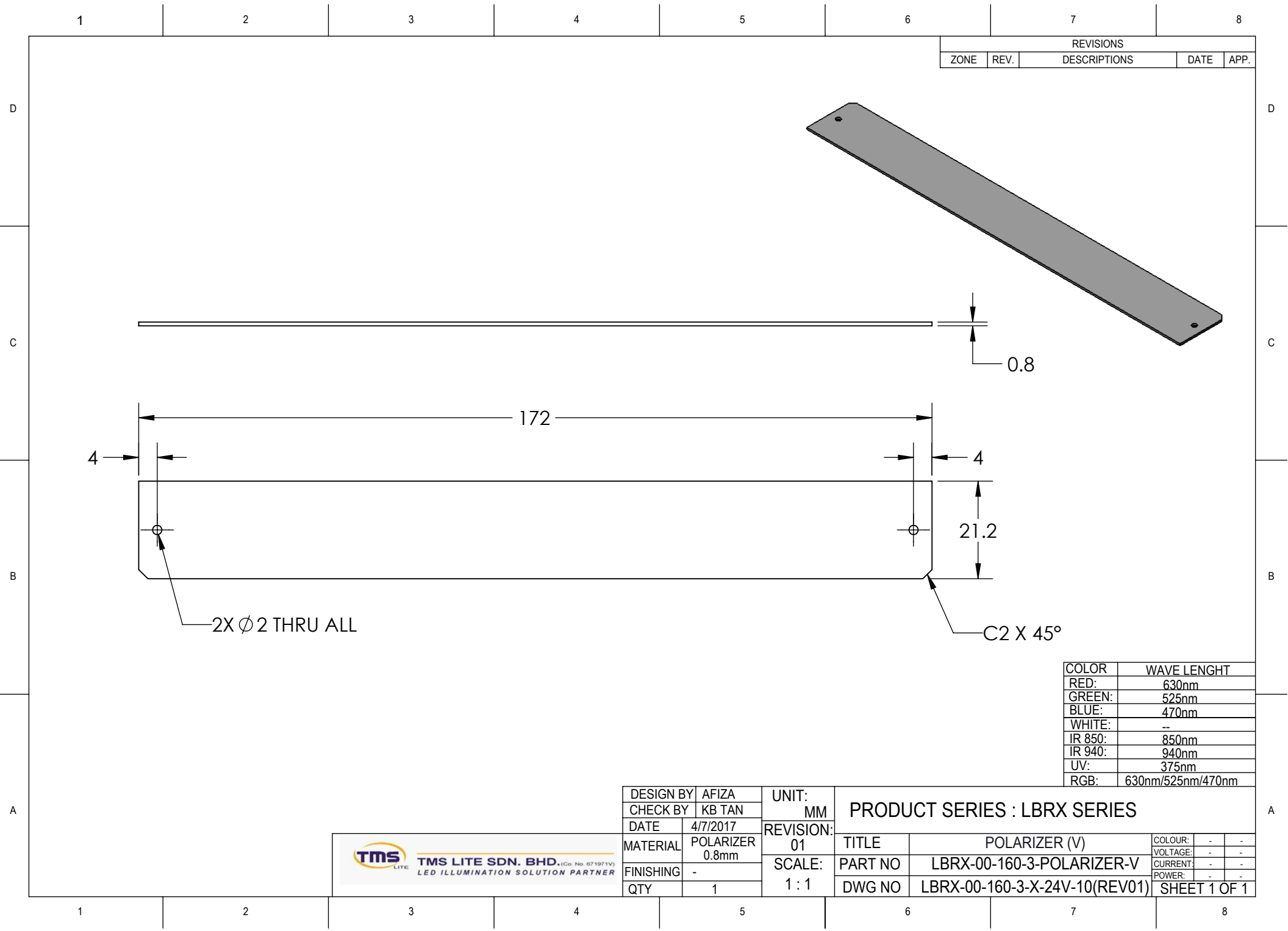


REVISIONS

ZONE	REV.	DESCRIPTIONS	DATE	APP.
------	------	--------------	------	------



2X Ø 2 THRU ALL

C2 X 45°

0.8

172

21.2

4

4

COLOR	WAVE LENGHT
RED:	630nm
GREEN:	525nm
BLUE:	470nm
WHITE:	--
IR 850:	850nm
IR 940:	940nm
UV:	375nm
RGB:	630nm/525nm/470nm

DESIGN BY	AFIZA
CHECK BY	KB TAN
DATE	4/7/2017
MATERIAL	POLARIZER 0.8mm
FINISHING	-
QTY	1

UNIT:	MM
REVISION:	01
SCALE:	1 : 1

PRODUCT SERIES : LBRX SERIES					
TITLE	POLARIZER (V)		COLOUR:	-	-
PART NO	LBRX-00-160-3-POLARIZER-V		VOLTAGE:	-	-
DWG NO	LBRX-00-160-3-X-24V-10(REV01)		CURRENT:	-	-
			POWER:	-	-
			SHEET 1 OF 1		

