

REVISIONS

ZONE	REV.	DESCRIPTIONS	DATE	APP.
------	------	--------------	------	------

D

D

C

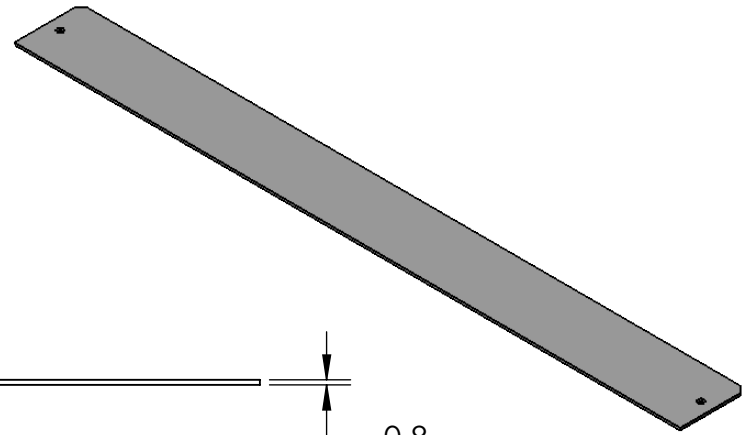
C

B

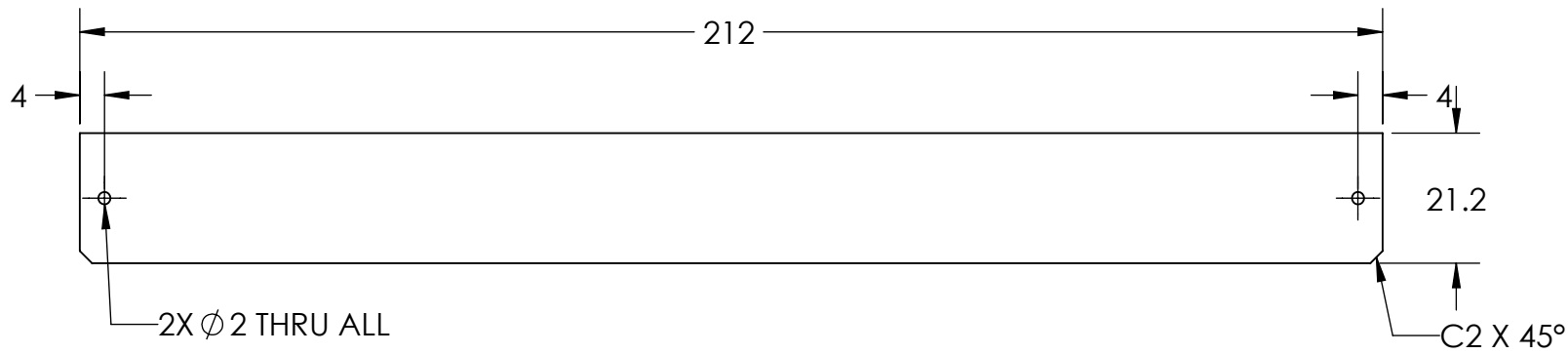
B

A

A



0.8



COLOR	WAVE LENGHT
RED:	630nm
GREEN:	525nm
BLUE:	470nm
WHITE:	--
IR 850:	850nm
IR 940:	940nm
UV:	375nm
RGB:	630nm/525nm/470nm



DESIGN BY	AFIZA	UNIT: MM	PRODUCT SERIES : LBRX SERIES				
CHECK BY	KB TAN						
DATE	4/7/2017	REVISION: 01	TITLE	POLARIZER (V)			
MATERIAL	POLARIZER 0.8mm	SCALE: 1 : 1	PART NO	LBRX-00-200-3-POLARIZER-V	COLOUR:	-	-
FINISHING	-		DWG NO	LBRX-00-200-3-X-24V-10(REV01)	VOLTAGE:	-	-
QTY	1				CURRENT:	-	-
					POWER:	-	-

1 2 3 4 5 6 7 8

1 2 3 4 5 6 7 8