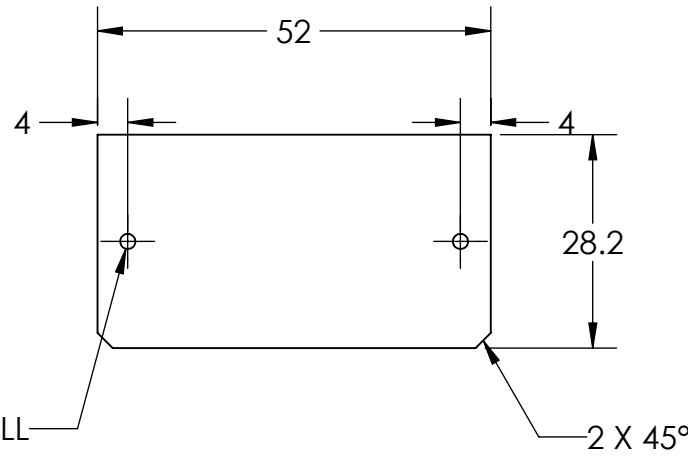
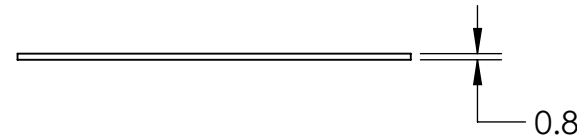
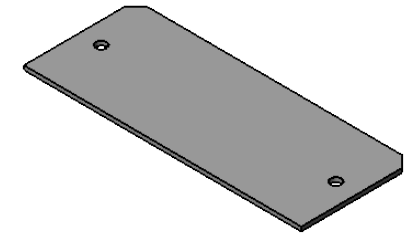


REVISIONS

ZONE	REV.	DESCRIPTIONS	DATE	APP.
------	------	--------------	------	------



2X Ø 2 THRU ALL

DESIGN BY	AFIZA
CHECK BY	KB TAN
DATE	4/7/2017
MATERIAL	POLARIZER 0.8mm
FINISHING	-
QTY	1

UNIT:	MM
REVISION:	01
SCALE:	1 : 1

PRODUCT SERIES : LBRX SERIES			
TITLE	POLARIZER (V)	COLOUR:	- - -
PART NO	LBRX-00-040-6-POLARIZER-V	VOLTAGE:	- - -
DWG NO	LBRX-00-040-6-X-24V-10(REV01)	CURRENT:	- - -
		POWER:	- - -
		SHEET 1 OF 1	

COLOR	WAVE LENGHT
RED:	630nm
GREEN:	525nm
BLUE:	470nm
WHITE:	--
IR 850:	850nm
IR 940:	940nm
UV:	375nm
RGB:	630nm/525nm/470nm

