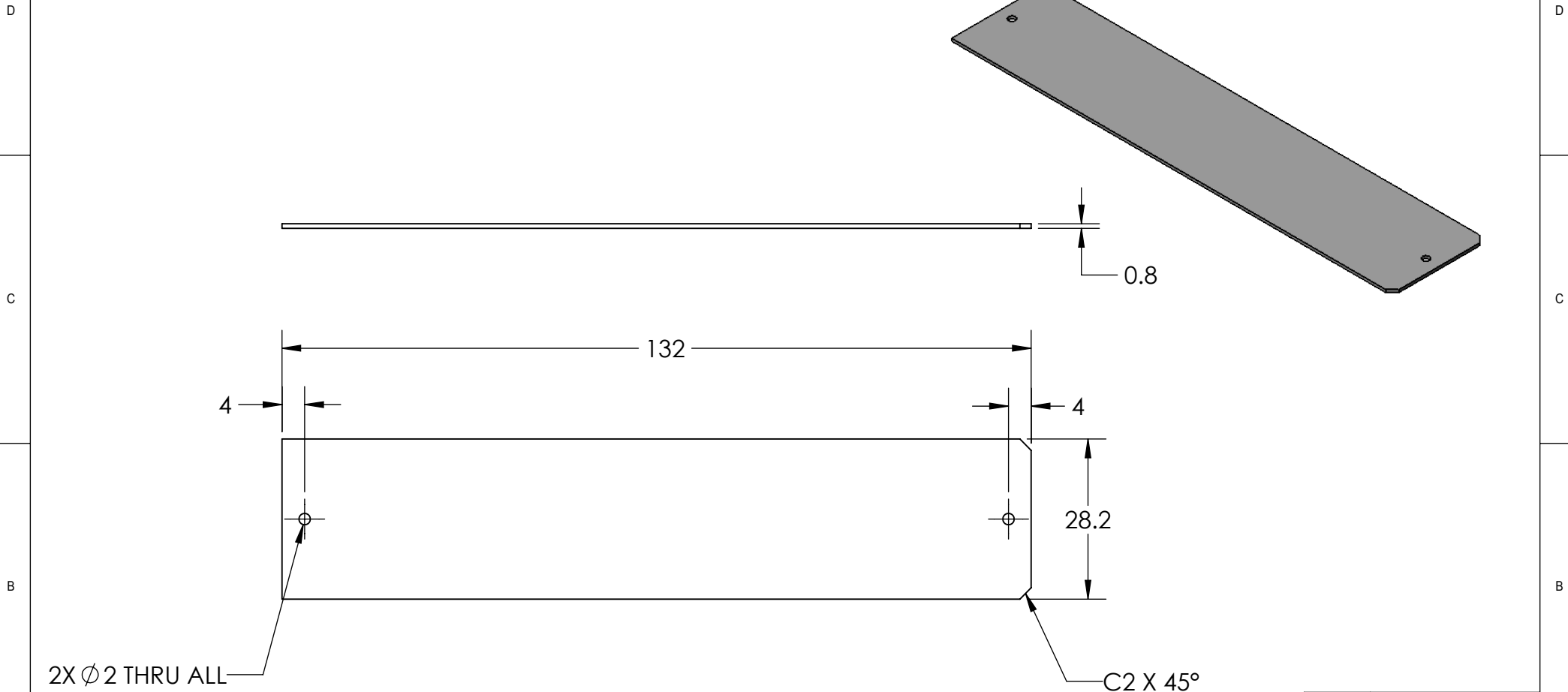


1 2 3 4 5 6 7 8

| REVISIONS |      |              |      |      |
|-----------|------|--------------|------|------|
| ZONE      | REV. | DESCRIPTIONS | DATE | APP. |



| COLOR   | WAVE LENGHT       |
|---------|-------------------|
| RED:    | 630nm             |
| GREEN:  | 525nm             |
| BLUE:   | 470nm             |
| WHITE:  | --                |
| IR 850: | 850nm             |
| IR 940: | 940nm             |
| UV:     | 375nm             |
| RGB:    | 630nm/525nm/470nm |

|           |                    |                 |                              |                               |                |
|-----------|--------------------|-----------------|------------------------------|-------------------------------|----------------|
| DESIGN BY | AFIZA              | UNIT:<br>MM     | PRODUCT SERIES : LBRX SERIES |                               |                |
| CHECK BY  | KB TAN             |                 |                              |                               |                |
| DATE      | 4/7/2017           | REVISION:<br>01 | TITLE                        | POLARIZER (H)                 |                |
| MATERIAL  | POLARIZER<br>0.8mm | SCALE:<br>1 : 1 | PART NO                      | LBRX-00-120-6-POLARIZER-H     | COLOUR: - - -  |
| FINISHING | -                  |                 | DWG NO                       | LBRX-00-120-6-X-24V-09(REV01) | VOLTAGE: - - - |
| QTY       | 1                  |                 |                              |                               | CURRENT: - - - |
|           |                    |                 |                              |                               | POWER: - - -   |



1 2 3 4 5 6 7 8

A A