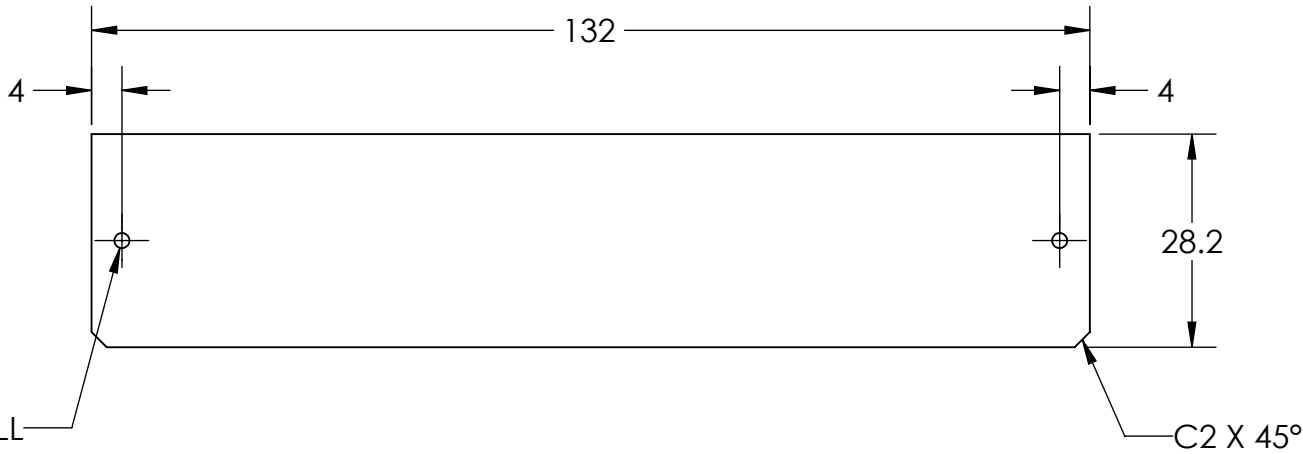
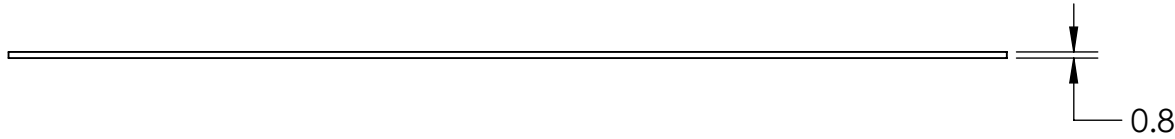
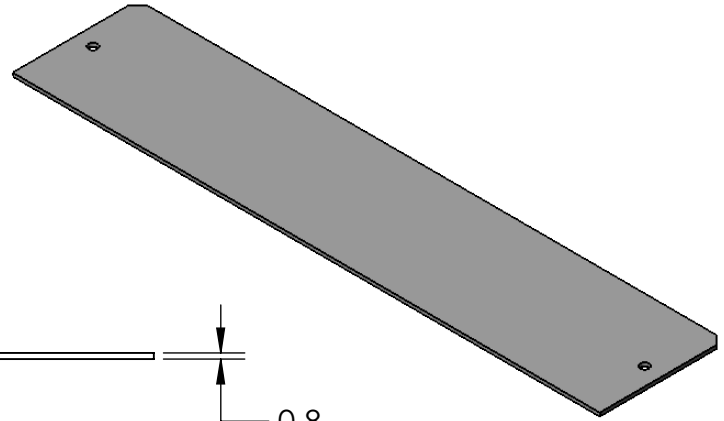


REVISIONS				
ZONE	REV.	DESCRIPTIONS	DATE	APP.



2X Ø 2 THRU ALL

C2 X 45°

COLOR	WAVE LENGHT
RED:	630nm
GREEN:	525nm
BLUE:	470nm
WHITE:	--
IR 850:	850nm
IR 940:	940nm
UV:	375nm
RGB:	630nm/525nm/470nm



DESIGN BY	AFIZA	UNIT: MM	PRODUCT SERIES : LBRX SERIES				
CHECK BY	KB TAN						
DATE	4/7/2017	REVISION: 01	TITLE	POLARIZER (V)			
MATERIAL	POLARIZER 0.8mm	SCALE: 1 : 1	PART NO	LBRX-00-120-6-POLARIZER-V	COLOUR:	-	-
FINISHING	-		DWG NO	LBRX-00-120-6-X-24V-10(REV01)	VOLTAGE:	-	-
QTY	1				CURRENT:	-	-
					POWER:	-	-

SHEET 1 OF 1