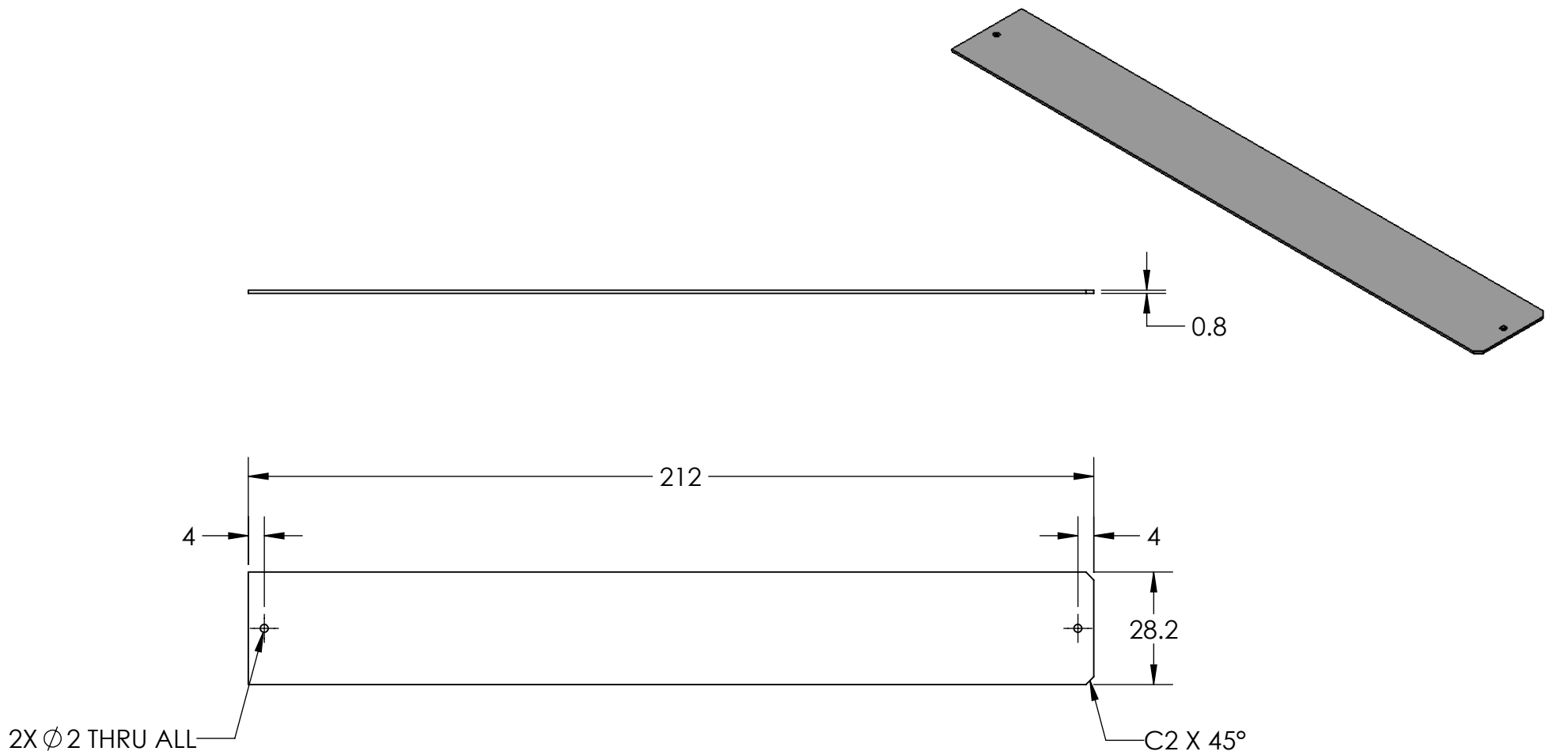


REVISIONS				
ZONE	REV.	DESCRIPTIONS	DATE	APP.



COLOR	WAVE LENGHT
RED:	630nm
GREEN:	525nm
BLUE:	470nm
WHITE:	--
IR 850:	850nm
IR 940:	940nm
UV:	375nm
RGB:	630nm/525nm/470nm



DESIGN BY	AFIZA	UNIT: MM	PRODUCT SERIES : LBRX SERIES		
CHECK BY	KB TAN				
DATE	4/7/2017	REVISION: 01	TITLE	POLARIZER (H)	
MATERIAL	POLARIZER 0.8mm	SCALE: 1 : 1	PART NO	LBRX-00-200-6-POLARIZER-H	COLOUR: - - -
FINISHING	-		DWG NO	LBRX-00-200-6-X-24V-09(REV01)	VOLTAGE: - - -
QTY	1				CURRENT: - - -
					POWER: - - -
					SHEET 1 OF 1