

REVISIONS

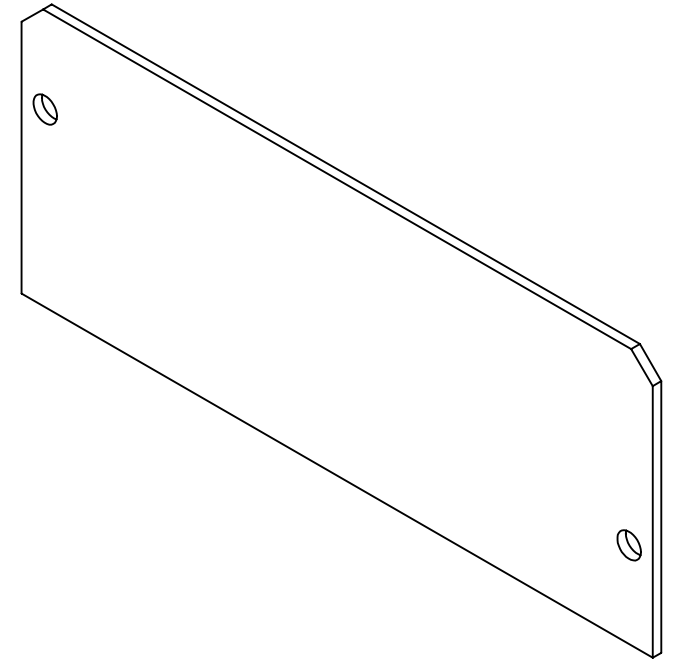
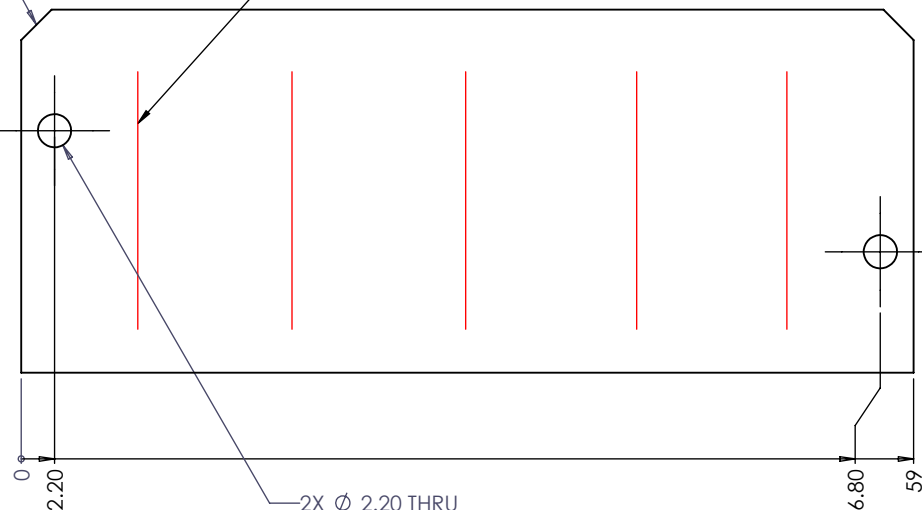
ZONE	REV.	DESCRIPTIONS	DATE	APP.

C2 X 45°

GUIDE

2X Ø 2.20 THRU

0.80



COLOR	WAVE LENGHT
RED:	630nm
GREEN:	525nm
BLUE:	470nm
WHITE:	--
IR 850:	850nm
IR 940:	940nm
UV:	375nm
RGB:	620nm/525nm/470nm



DESIGN BY	ZI FENG	UNIT: MM
CHECK BY	NIZAM	SIZE A4
DATE	1/11/2021	SCALE: 1 : 1
MATERIAL	POLARIZER 0.8mm	REVISION: 01
FINISHING	-	WEIGHT:
QTY	1	

PRODUCT SERIES: LBS25 SERIES

TITLE	POLARIZER-V	GEN. TOLERANCES
PART NO	LBS25-00-050-3-X-24V	X ±0.15
DWG NO	LBS25-00-050-3-X-24V-05(REV01)	X.X ±0.1
		X.XX ±0.05
		SHEET 1 OF 1