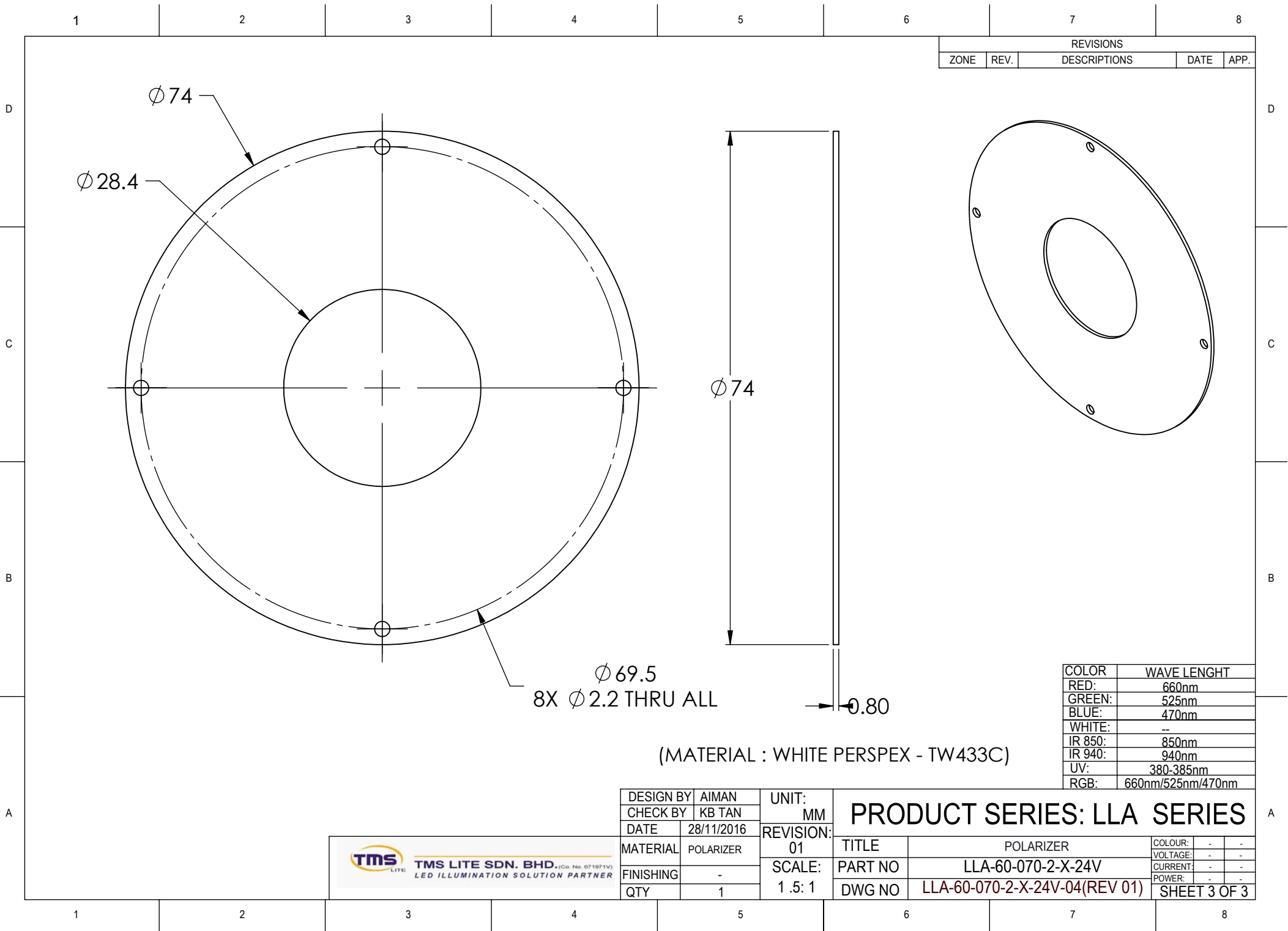


REVISIONS

ZONE	REV.	DESCRIPTIONS	DATE	APP.
------	------	--------------	------	------



COLOR	WAVE LENGHT
RED:	660nm
GREEN:	525nm
BLUE:	470nm
WHITE:	--
IR 850:	850nm
IR 940:	940nm
UV:	380-385nm
RGB:	660nm/525nm/470nm

$\phi 69.5$
8X $\phi 2.2$ THRU ALL

(MATERIAL : WHITE PERSPEX - TW433C)



DESIGN BY	AIMAN	UNIT:	MM
CHECK BY	KB TAN	REVISION:	01
DATE	28/11/2016	SCALE:	1.5 : 1
MATERIAL	POLARIZER	TITLE	POLARIZER
FINISHING	-	PART NO	LLA-60-070-2-X-24V
QTY	1	DWG NO	LLA-60-070-2-X-24V-04(REV 01)

PRODUCT SERIES: LLA SERIES

COLOUR:	-	-
VOLTAGE:	-	-
CURRENT:	-	-
POWER:	-	-