

1 2 3 4 5 6 7 8

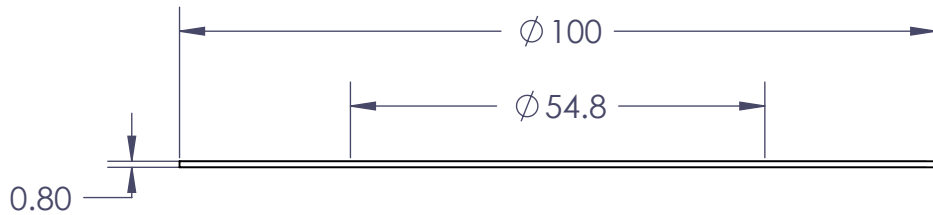
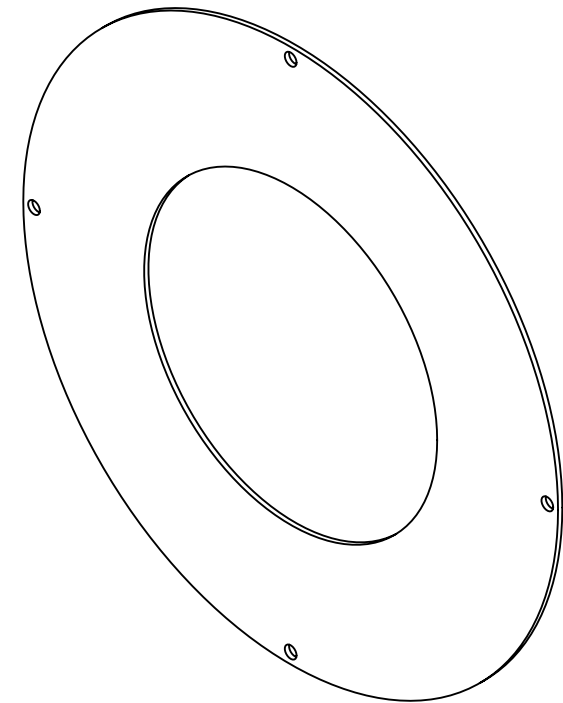
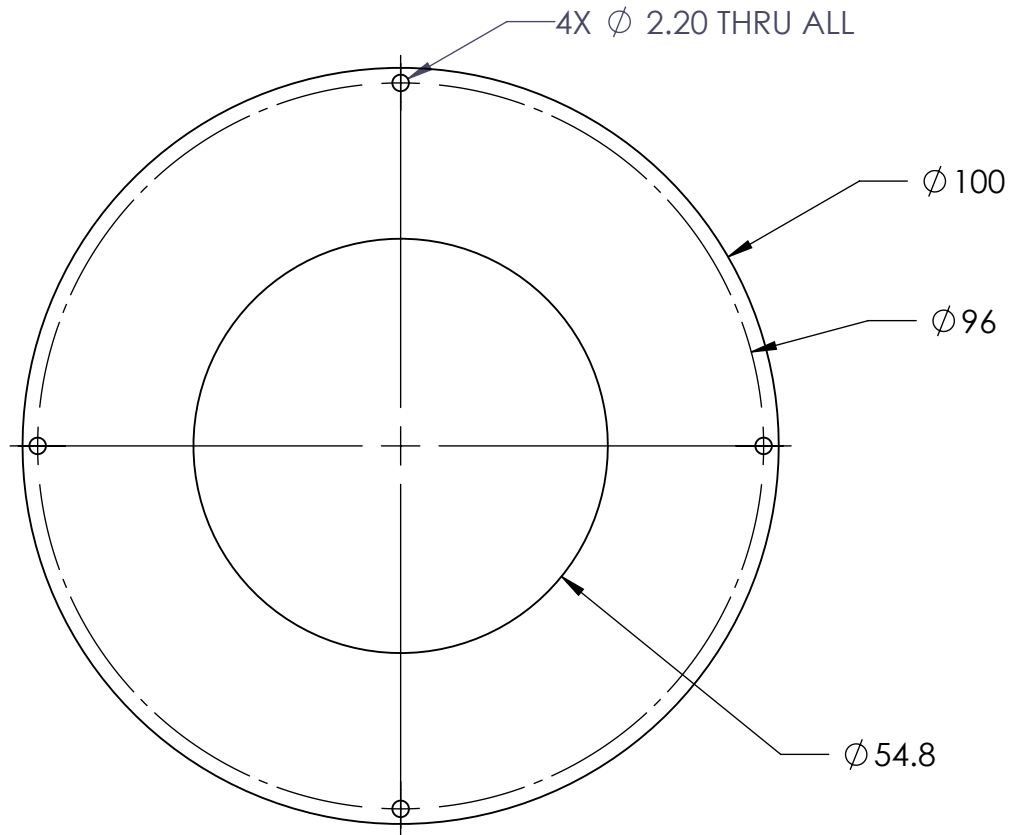
REVISIONS				
ZONE	REV.	DESCRIPTIONS	DATE	APP.

D

C

B

A



COLOR	WAVE LENGHT
RED:	630nm
GREEN:	525nm
BLUE:	470nm
WHITE:	--
IR 850:	850nm
IR 940:	940nm
UV:	375nm
RGB:	620nm/525nm/470nm

DESIGN BY	AMMAR	UNIT: MM	PRODUCT SERIES: LLA SERIES				
CHECK BY	KB TAN						
DATE	29/10/2021	REVISION: 01	TITLE	POLARIZER	COLOUR:	-	-
MATERIAL	POLARIZER FILM	SCALE: 1:1	PART NO	LLA-60-100-2-POLARIZER	VOLTAGE:	-	-
FINISHING	-		DWG NO	LLA-60-100-2-POLARIZER-03(REV01)	CURRENT:	-	-
QTY	1				POWER:	-	-



1 2 3 4 5 6 7 8