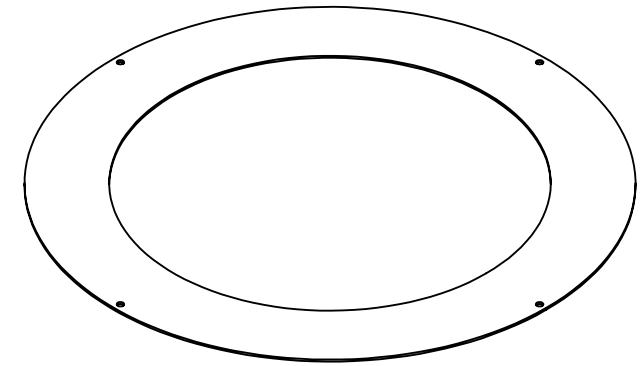
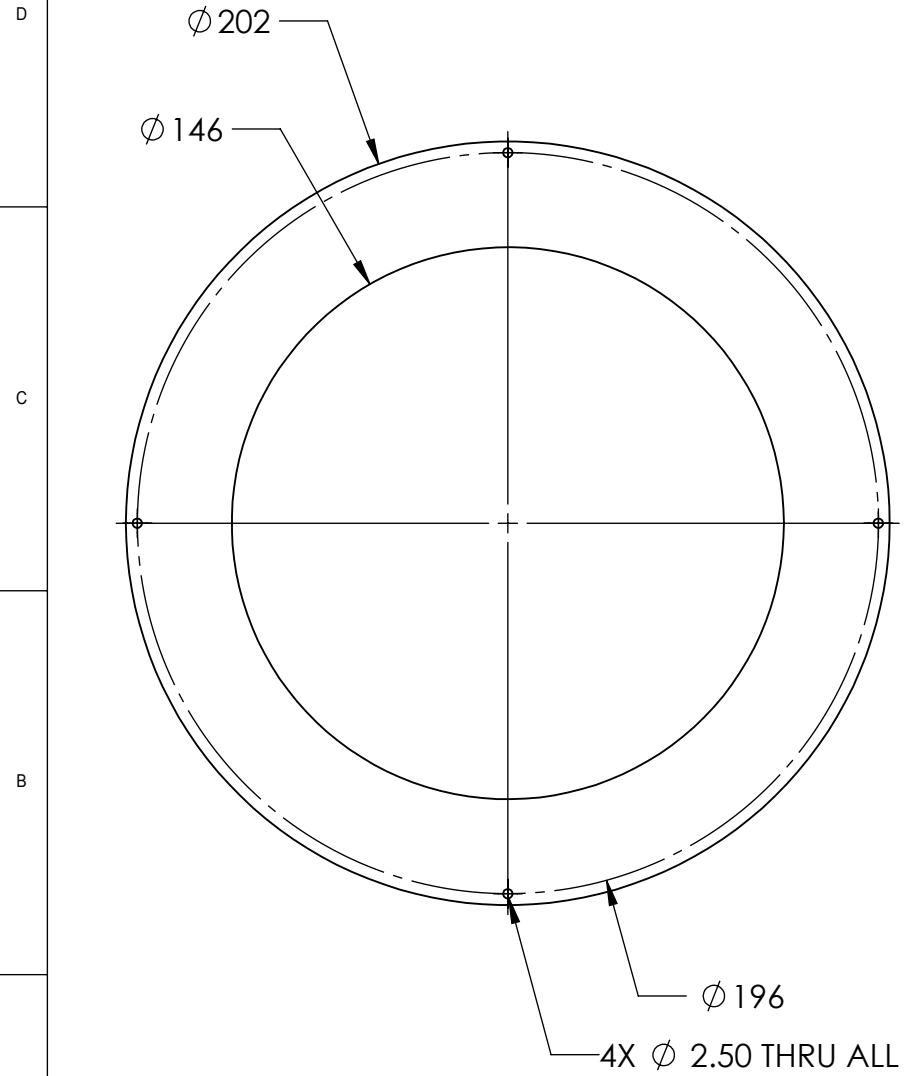


REVISIONS

ZONE	REV.	DESCRIPTIONS	DATE	APP.
------	------	--------------	------	------



COLOR	WAVE LENGHT
RED:	660nm
GREEN:	525nm
BLUE:	470nm
WHITE:	--
IR 850:	850nm
IR 940:	940nm
UV:	380-385nm
RGB:	660nm/525nm/470nm



DESIGN BY	AIMAN	UNIT:	PRODUCT SERIES: LLA SERIES		
CHECK BY	KB TAN	MM			
DATE	28/11/2016	REVISION:			
MATERIAL	POLARIZER	01	TITLE	POLARIZER	COLOUR: - - -
FINISHING	-	SCALE:	PART NO	LLA-60-200-2-X-24V	VOLTAGE: - - -
QTY	1	1 : 2	DWG NO	LLA-60-200-2-X-24V-04(REV01)	CURRENT: - - -
					POWER: - - -
					SHEET 3 OF 3