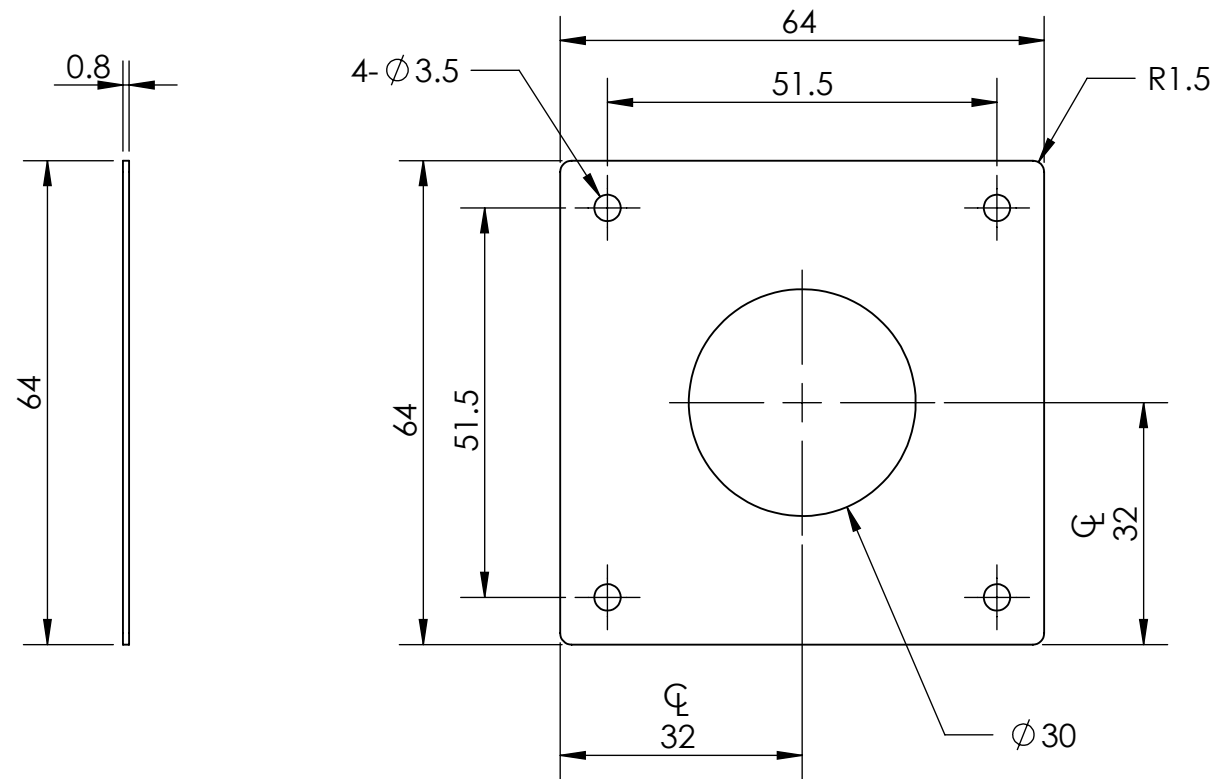


REVISIONS				
ZONE	REV.	DESCRIPTIONS	DATE	APP.



COLOR	WAVE LENGHT
RED:	660nm
GREEN:	525nm
BLUE:	470nm
WHITE:	--
IR 850:	850nm
IR 940:	940nm
UV:	380-385nm
RGB:	660nm/525nm/470nm



DESIGN BY	KB TAN	UNIT:	MM
CHECK BY	KB TAN	REVISION:	01
DATE	25/02/2019	SCALE:	1 : 1
MATERIAL	DIFFUSER TW433C		
FINISHING	SAND BLAST		
QTY	1		

PRODUCT SERIES: LSQ SERIES

TITLE	POLARIZER	COLOUR:	-	-
PART NO	LSQ-00-060-3-X-24V	VOLTAGE:	-	-
DWG NO	LSQ-00-060-3-X-24V-04(REV01)	CURRENT:	-	-
		POWER:	-	-

SHEET 2 OF 2