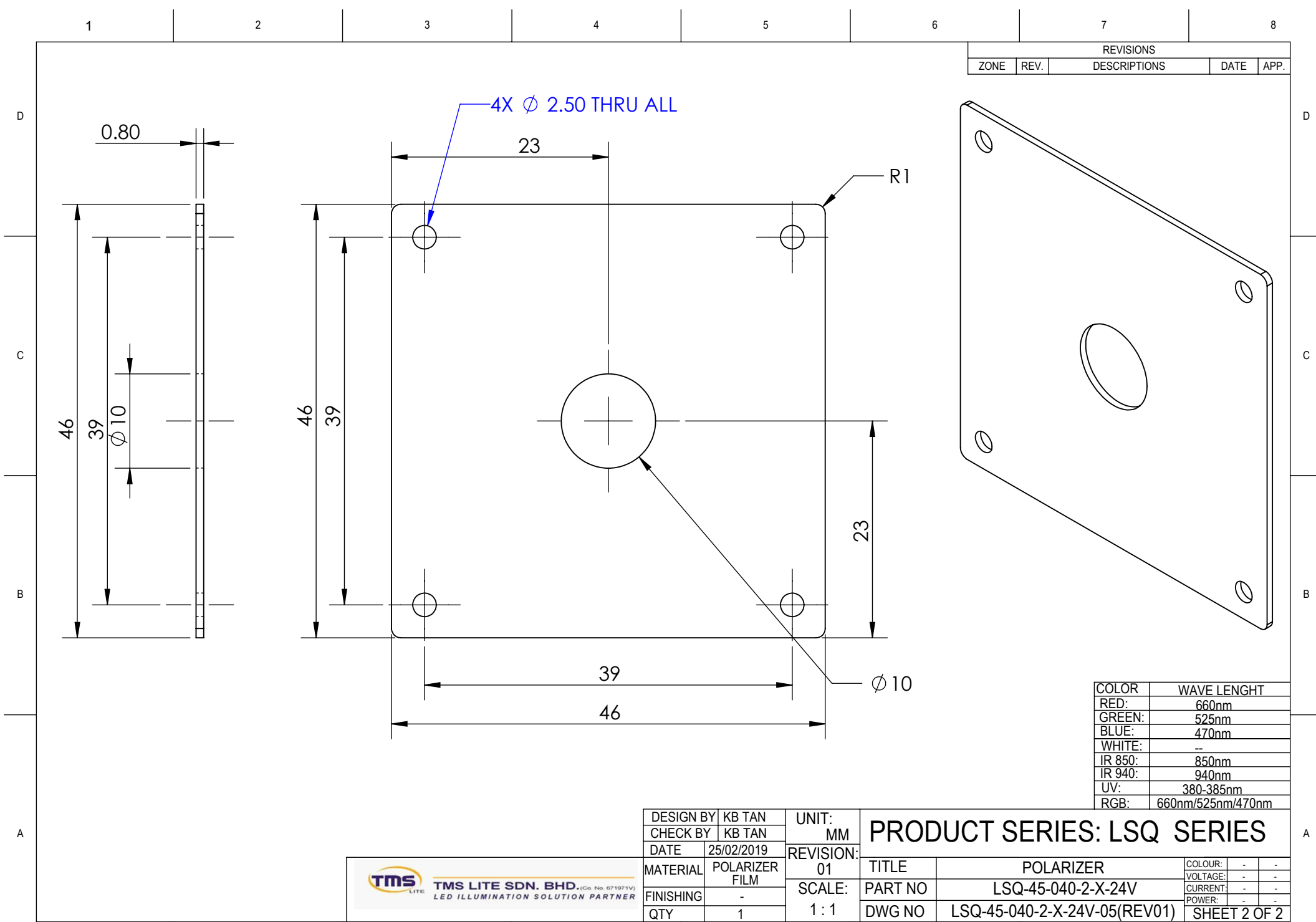


REVISIONS				
ZONE	REV.	DESCRIPTIONS	DATE	APP.



4X ϕ 2.50 THRU ALL

COLOR	WAVE LENGHT
RED:	660nm
GREEN:	525nm
BLUE:	470nm
WHITE:	--
IR 850:	850nm
IR 940:	940nm
UV:	380-385nm
RGB:	660nm/525nm/470nm

DESIGN BY	KB TAN	UNIT:	MM
CHECK BY	KB TAN	REVISION:	01
DATE	25/02/2019	SCALE:	1:1
MATERIAL	POLARIZER FILM		
FINISHING	-		
QTY	1		

PRODUCT SERIES: LSQ SERIES			
TITLE	POLARIZER	COLOUR:	- - -
PART NO	LSQ-45-040-2-X-24V	VOLTAGE:	- - -
DWG NO	LSQ-45-040-2-X-24V-05(REV01)	CURRENT:	- - -
		POWER:	- - -
			SHEET 2 OF 2

