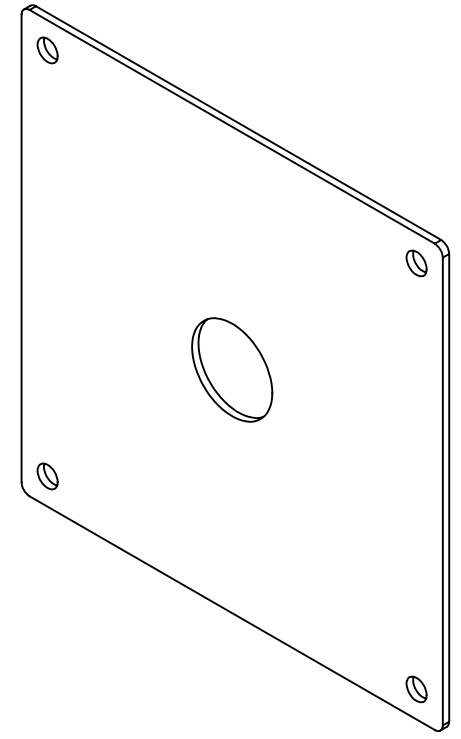
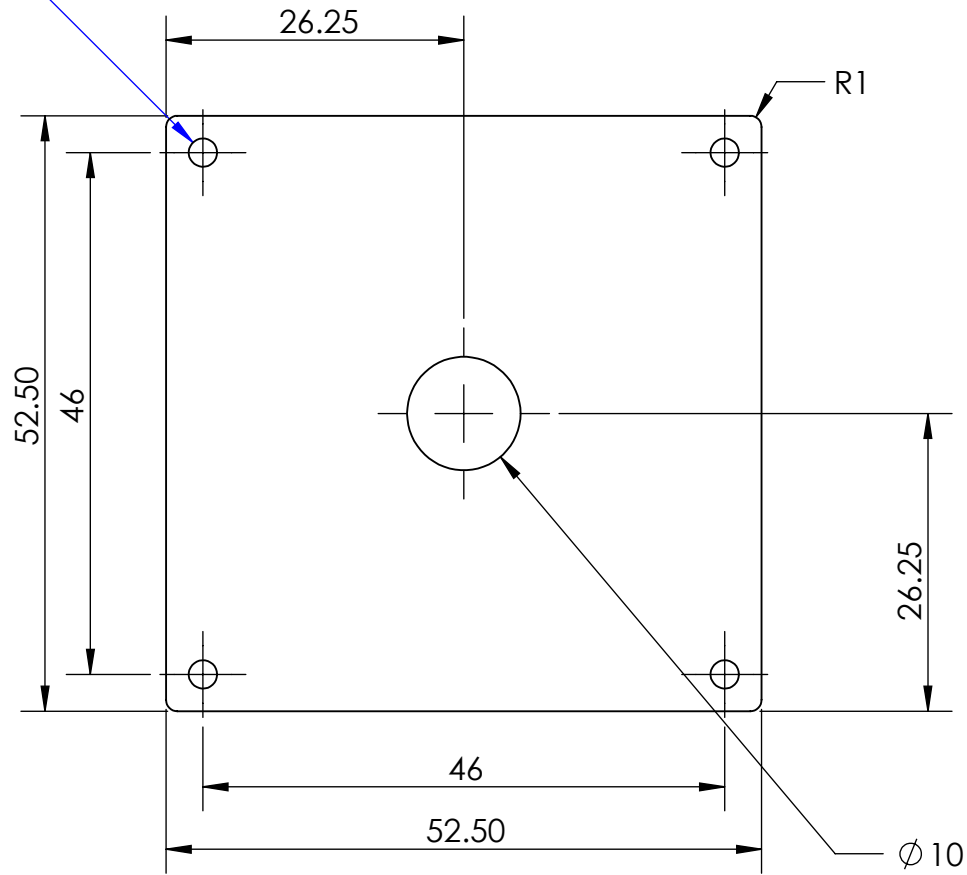
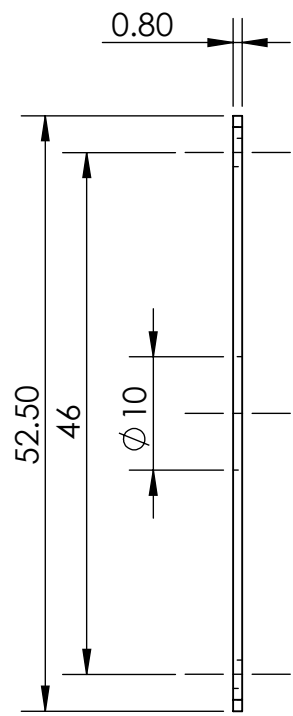


REVISIONS

ZONE	REV.	DESCRIPTIONS	DATE	APP.
------	------	--------------	------	------

4X  $\phi$  2.50 THRU ALL



COLOR	WAVE LENGHT
RED:	660nm
GREEN:	525nm
BLUE:	470nm
WHITE:	--
IR 850:	850nm
IR 940:	940nm
UV:	380-385nm
RGB:	660nm/525nm/470nm



DESIGN BY	KB TAN	UNIT: MM
CHECK BY	KB TAN	
DATE	25/02/2019	REVISION: 01
MATERIAL	POLARIZER FILM	SCALE: 1:1
FINISHING	-	
QTY	1	

PRODUCT SERIES: LSQ SERIES

TITLE	POLARIZER	COLOUR:	-	-
PART NO	LSQ-45-050-2-X-24V	VOLTAGE:	-	-
DWG NO	LSQ-45-050-2-X-24V-05(REV01)	CURRENT:	-	-
		POWER:	-	-