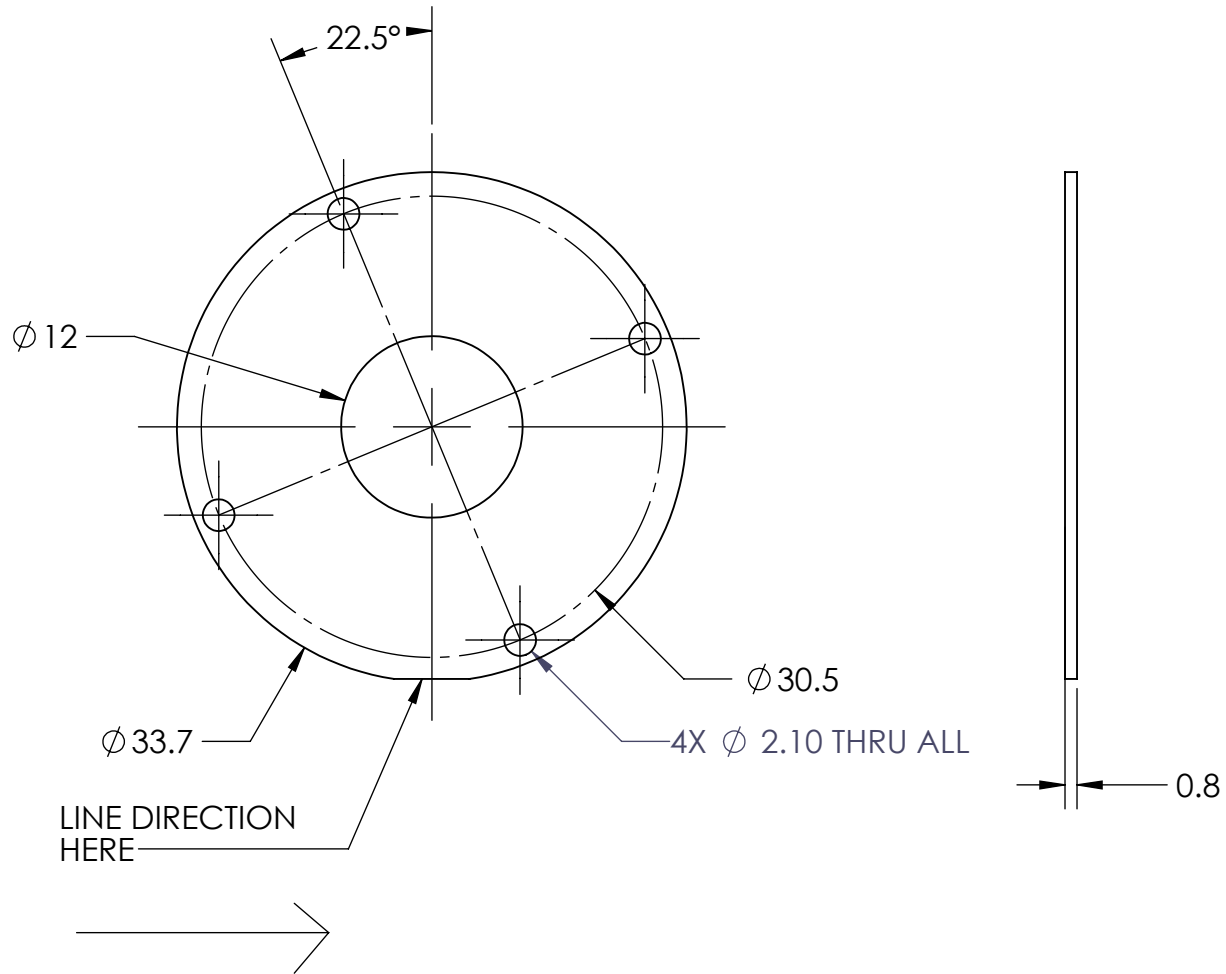


REVISIONS

ZONE	REV.	DESCRIPTIONS	DATE	APP.
------	------	--------------	------	------



COLOR	WAVE LENGHT
RED:	630nm
GREEN:	525nm
BLUE:	470nm
WHITE:	--
IR 850:	850nm
IR 940:	940nm
UV:	375nm
RGB:	620nm/525nm/470nm



DESIGN BY	KB TAN	UNIT:	PRODUCT SERIES: LSQ SERIES		
CHECK BY	KB TAN	MM			
DATE	8/3/2019	REVISION:			
MATERIAL	TW433C	01	TITLE	POLARIZER	
FINISHING	-	SCALE:	PART NO	-	
QTY	1	1 : 1	DWG NO	LSQ-00-033-1-X-24V-06(REV01)	
			COLOUR:	-	-
			VOLTAGE:	-	-
			CURRENT:	-	-
			POWER:	-	-
			SHEET 1 OF 1		