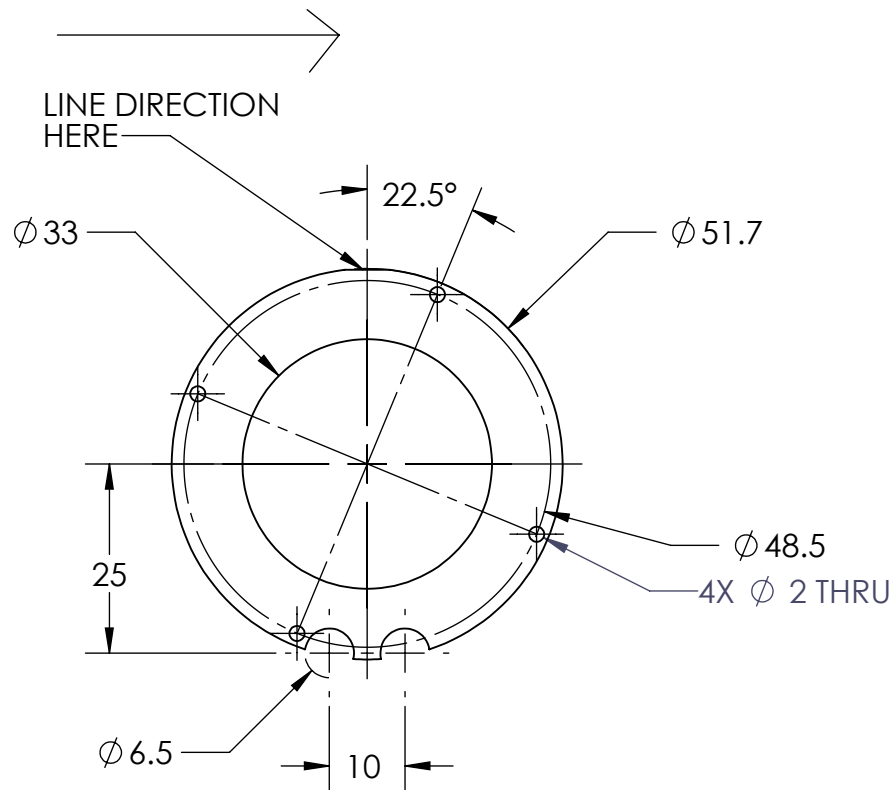


REVISIONS				
ZONE	REV.	DESCRIPTIONS	DATE	APP.



COLOR	WAVE LENGTH
RED:	630nm
GREEN:	525nm
BLUE:	470nm
WHITE:	--
IR 850:	850nm
IR 940:	940nm
UV:	375nm
RGB:	620nm/525nm/470nm



DESIGN BY	KB TAN	UNIT: MM	PRODUCT SERIES: LSQ SERIES				
CHECK BY	KB TAN						
DATE	8/3/2019	REVISION: 01	TITLE	POLARIZER	COLOUR:	-	-
MATERIAL	TW433C	SCALE: 1:1	PART NO	-	VOLTAGE:	-	-
FINISHING	-		DWG NO	LSQ-00-051-1-X-24V-06(REV01)	CURRENT:	-	-
QTY	1				POWER:	-	-

SHEET 1 OF 1