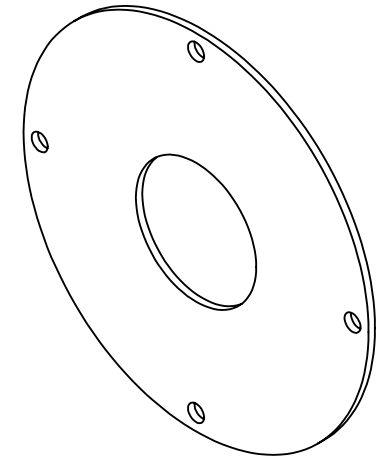
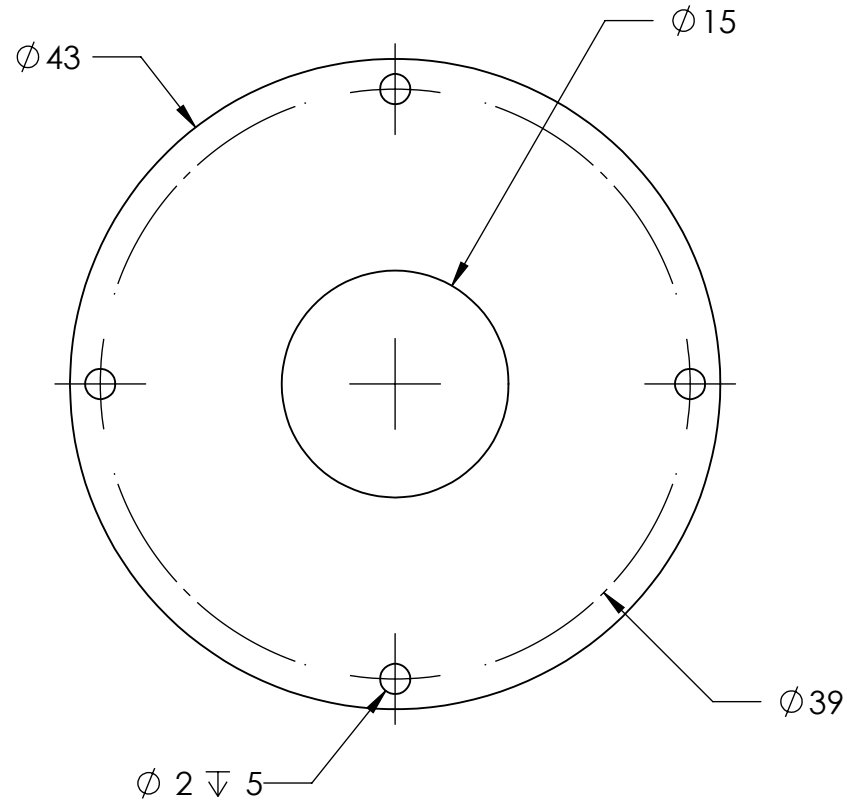
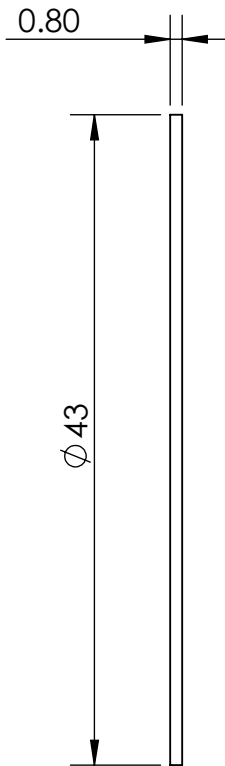


REVISIONS

ZONE	REV.	DESCRIPTIONS	DATE	APP.
------	------	--------------	------	------



COLOR	WAVE LENGHT
RED:	660nm
GREEN:	525nm
BLUE:	470nm
WHITE:	--
IR 850:	850nm
IR 940:	940nm
UV:	380-385nm
RGB:	660nm/525nm/470nm



DESIGN BY	AIMAN	UNIT: MM	PRODUCT SERIES: LSW SERIES		
CHECK BY	KB TAN				
DATE	28/11/2016	REVISION: 01	TITLE	POLARIZER	COLOUR: - - -
MATERIAL	POLARIZER	SCALE: 2 : 1	PART NO	LSW-00-040-2-X-24V	VOLTAGE: - - -
FINISHING	-	DWG NO	LSW-00-040-2-X-24V-04(REV01)	POWER: - - -	SHEET 4 OF 4
QTY	1				