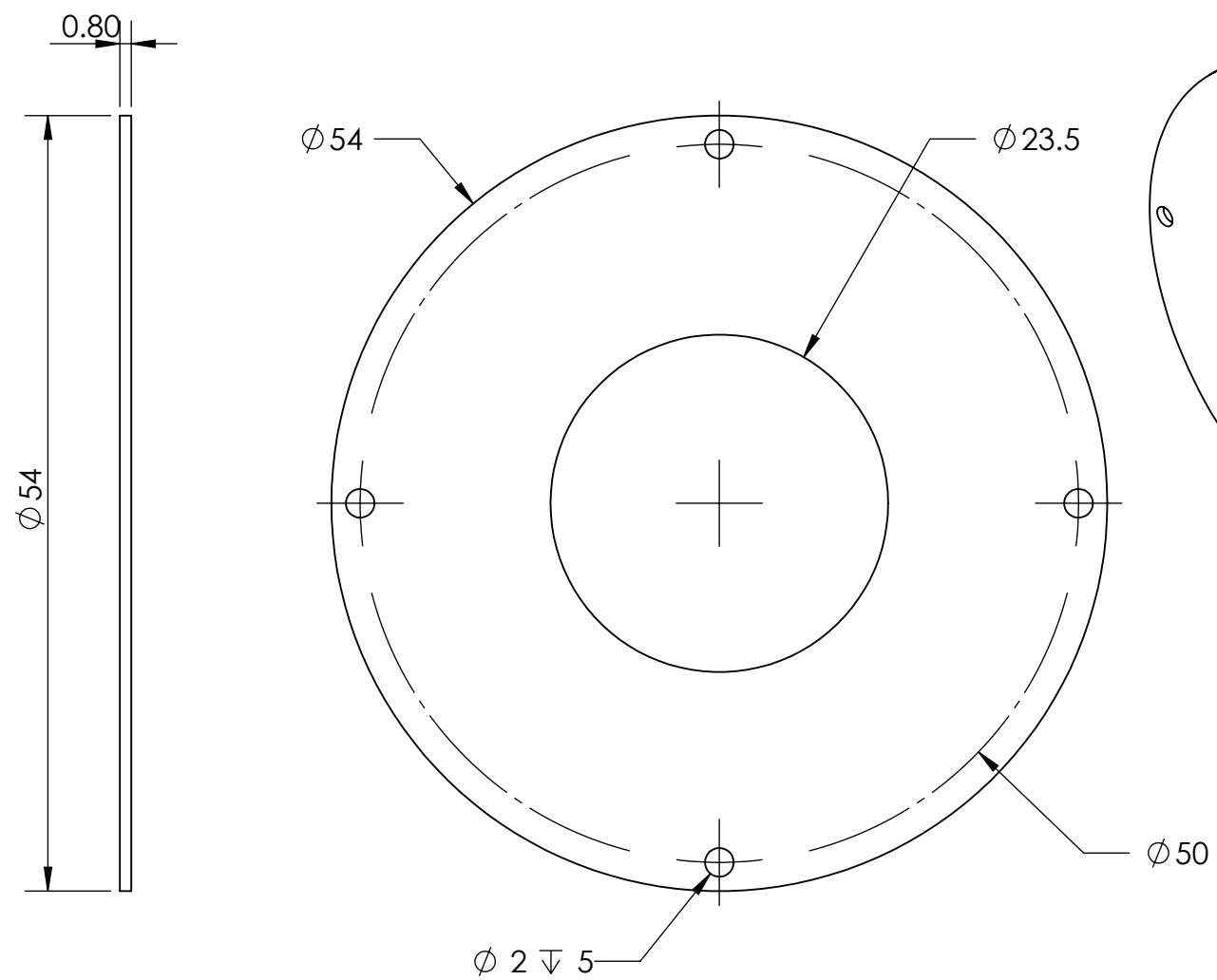


1 2 3 4 5 6 7 8

REVISIONS				
ZONE	REV.	DESCRIPTIONS	DATE	APP.

D
C
B
A

D
C
B
A



COLOR	WAVE LENGHT
RED:	660nm
GREEN:	525nm
BLUE:	470nm
WHITE:	--
IR 850:	850nm
IR 940:	940nm
UV:	380-385nm
RGB:	660nm/525nm/470nm



DESIGN BY	AIMAN	UNIT: MM	PRODUCT SERIES: LSW SERIES				
CHECK BY	KB TAN						
DATE	28/11/2016	REVISION:	TITLE	POLARIZER	COLOUR:	-	-
MATERIAL	POLARIZER	01	PART NO	LSW-00-050-2-X-24V	VOLTAGE:	-	-
FINISHING	-	SCALE:	DWG NO	LSW-00-050-2-X-24V-04(REV01)	CURRENT:	-	-
QTY	1	2 : 1			POWER:	-	-

1 2 3 4 5 6 7 8