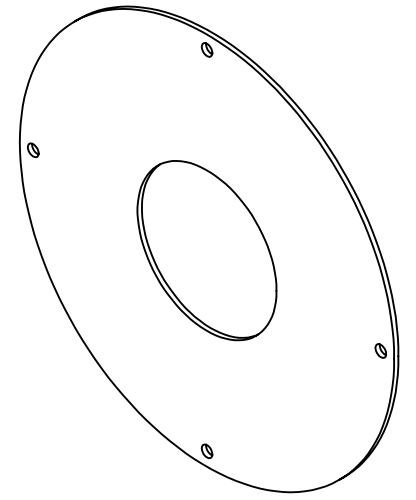
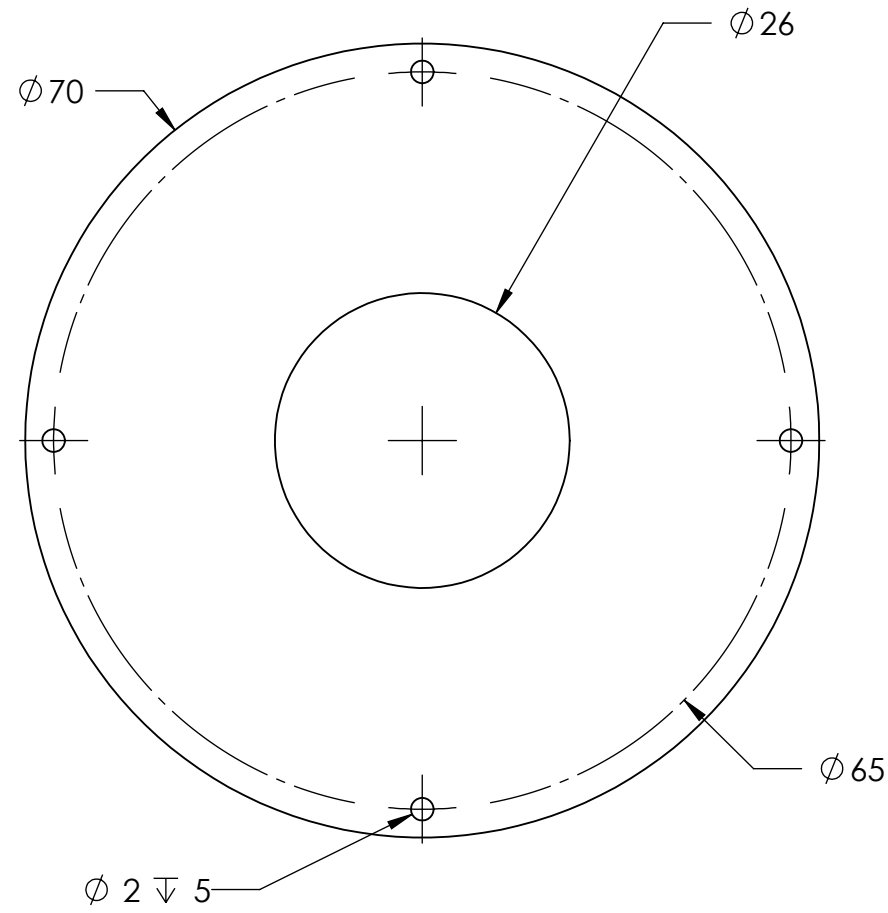
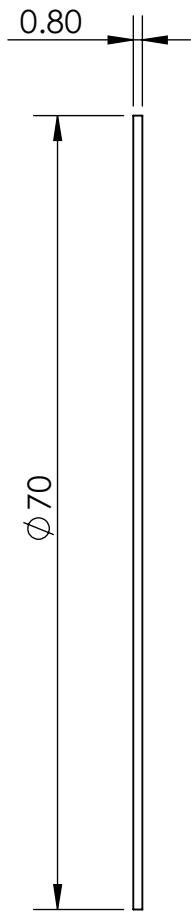


REVISIONS

ZONE	REV.	DESCRIPTIONS	DATE	APP.
------	------	--------------	------	------



COLOR	WAVE LENGHT
RED:	660nm
GREEN:	525nm
BLUE:	470nm
WHITE:	--
IR 850:	850nm
IR 940:	940nm
UV:	380-385nm
RGB:	660nm/525nm/470nm



DESIGN BY	AIMAN	UNIT:	MM
CHECK BY	KB TAN	REVISION:	01
DATE	28/11/2016	SCALE:	2 : 1
MATERIAL	POLARIZER		
FINISHING	-		
QTY	1		

PRODUCT SERIES: LSW SERIES			
TITLE	POLARIZER	COLOUR:	- - -
PART NO	LSW-00-070-3-X-24V	VOLTAGE:	- - -
DWG NO	LSW-00-070-3-X-24V-04(REV01)	CURRENT:	- - -
		POWER:	- - -
		SHEET 3 OF 3	