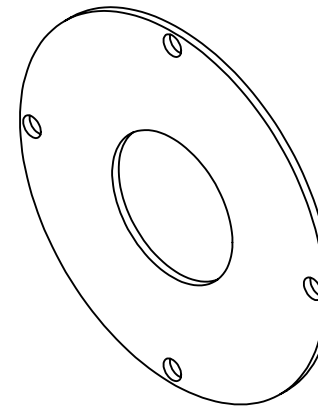
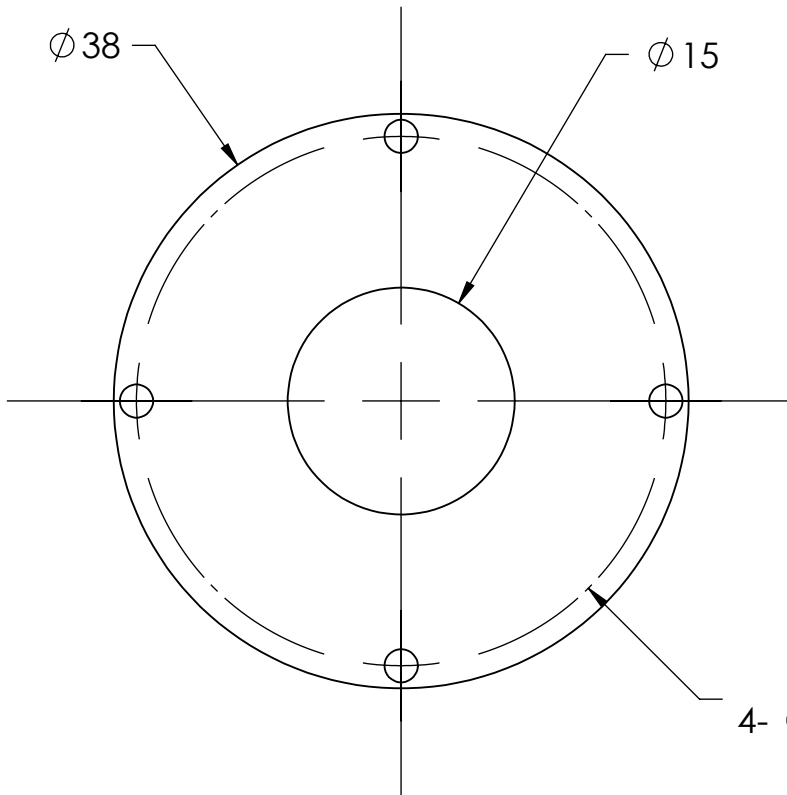
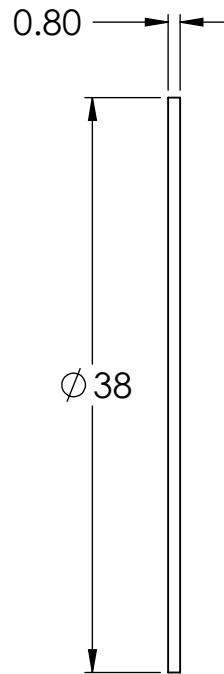


1 2 3 4 5 6 7 8

REVISIONS			
REV.	DESCRIPTIONS	EDIT BY	DATE:(d/m/y)
01	CUSTOMIZE NEW	MUZAKKIR	7/08/2019
-	-	-	DD/MM/YYYY

D D



C C

B B

COLOR	WAVE LENGHT
RED:	660nm
GREEN:	525nm
BLUE:	470nm
WHITE:	--
IR 850:	850nm
IR 940:	940nm
UV:	380-385nm
RGB:	660nm/525nm/470nm

A A

CUSTOMER APPROVED  
& DATE



DESIGN BY	MUZAKKIR	UNIT:	MM	PRODUCT SERIES: LSW SERIES				
CHECK BY	KB TAN	REVISION:	01					
DATE	7/08/2019	SCALE:	2 : 1	TITLE	DRAWING LAYOUT	COLOUR:	-	-
MATERIAL	POLARIZER FILM	PART NO	LSW-15-038-2-POLARIZER	DWG NO	-	VOLTAGE:	-	-
FINISHING	-	POWER:	-	-	-	CURRENT:	-	-
QTY	1	SHEET 3 OF 3						

1 2 3 4 5 6 7 8