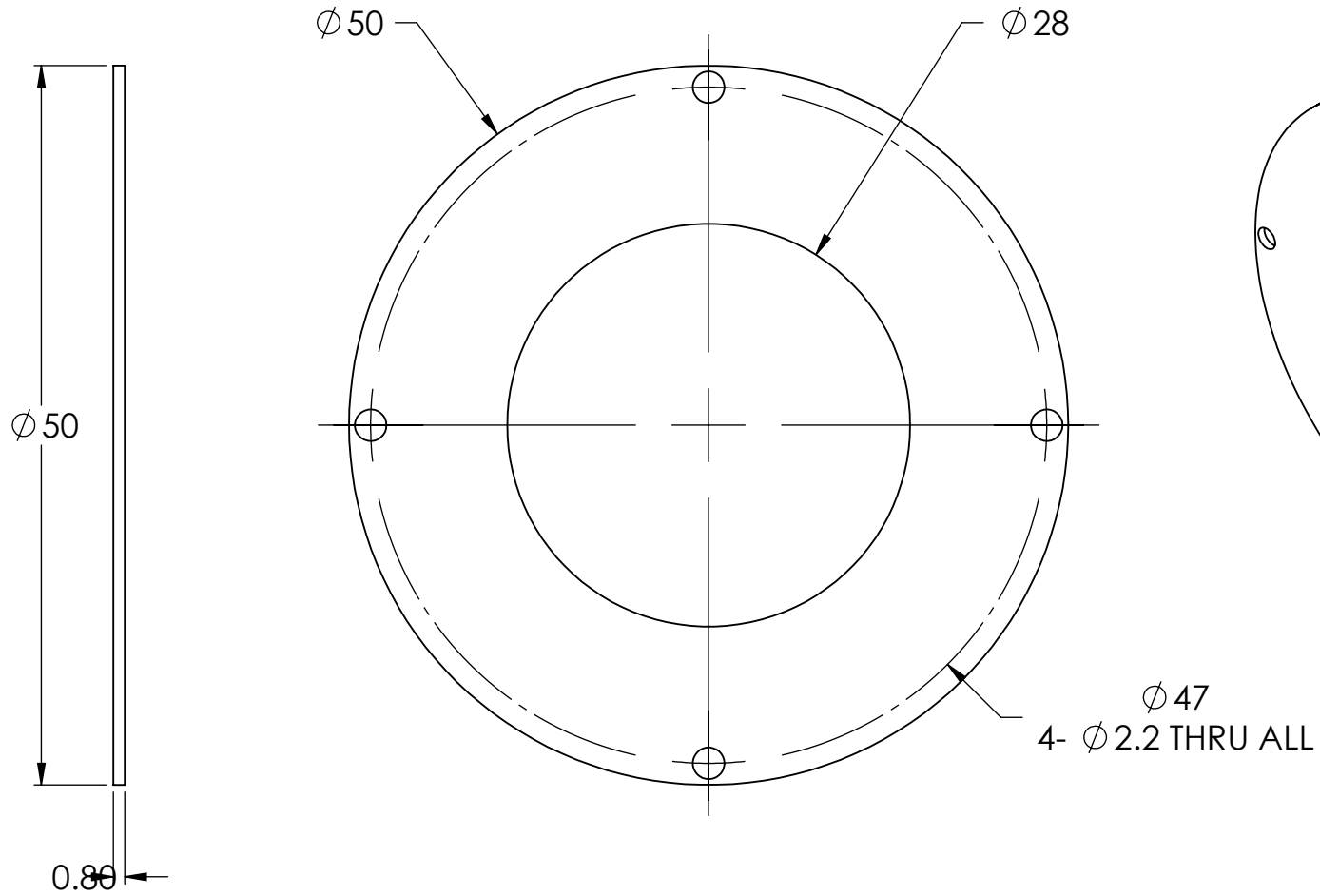


REVISIONS

ZONE	REV.	DESCRIPTIONS	DATE	APP.
------	------	--------------	------	------



DESIGN BY	AIMAN	UNIT:	MM
CHECK BY	KB TAN	REVISION:	01
DATE	28/11/2016	SCALE:	2 : 1
MATERIAL	POLARIZER		
FINISHING	-		
QTY	1		

PRODUCT SERIES: LSW SERIES			
TITLE	POLARIZER	COLOUR:	- - -
PART NO	LSW-15-050-2-X-24V	VOLTAGE:	- - -
DWG NO	LSW-15-050-2-X-24V-04 (REV 01)	CURRENT:	- - -
		POWER:	- - -
			SHEET 3 OF 3